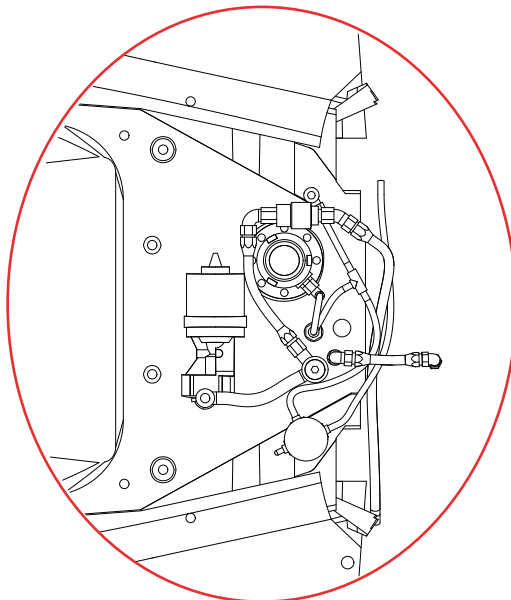
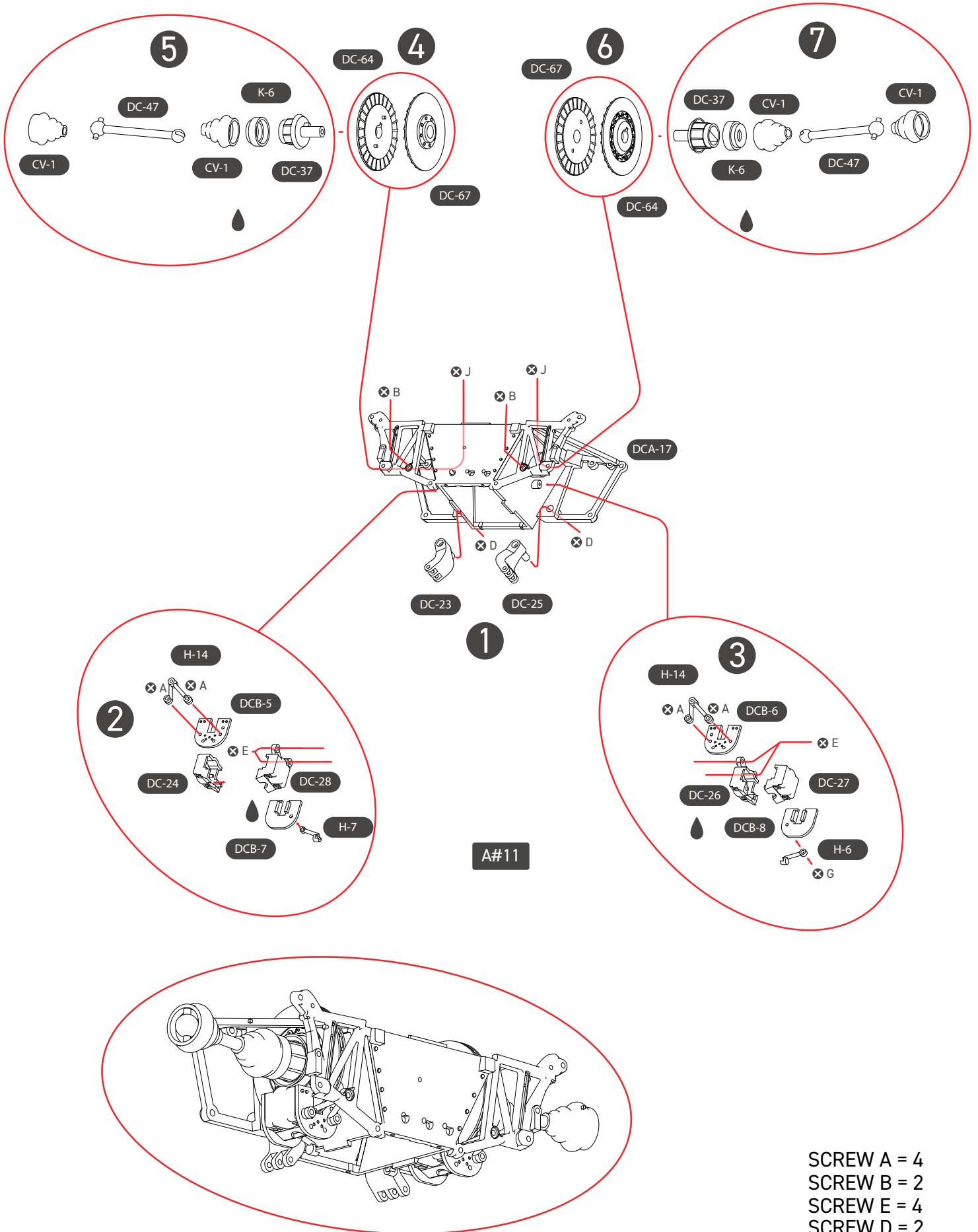


A#10



SCREW B = 1



1

2

3

5

4

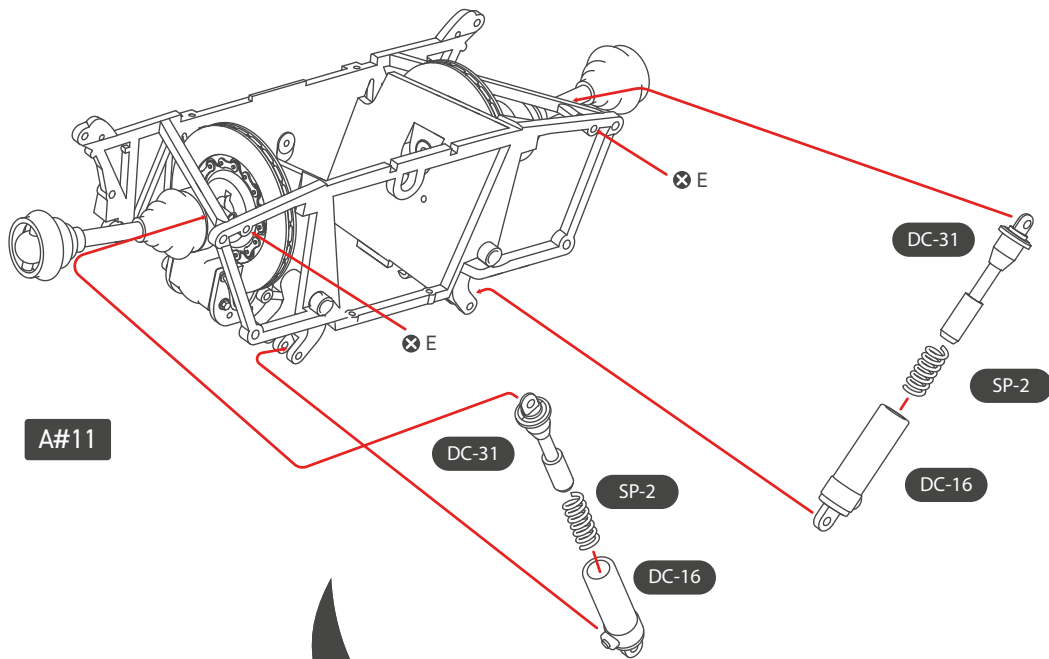
6

7

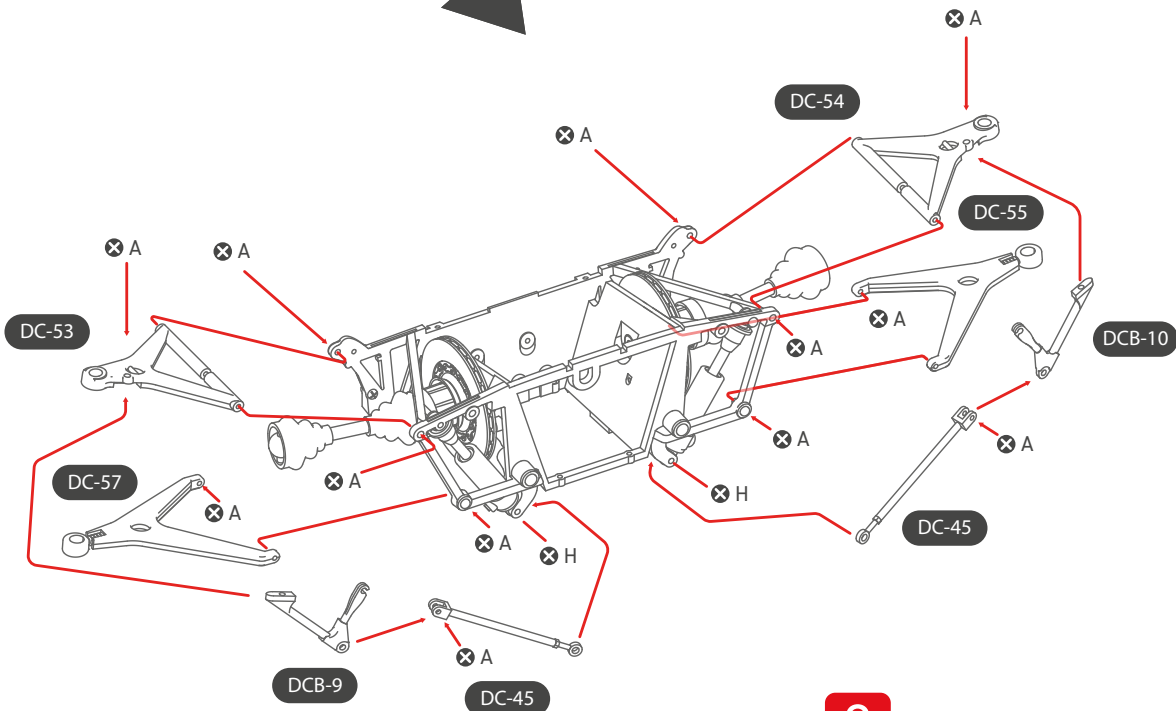
A#11

- SCREW A = 4
- SCREW B = 2
- SCREW E = 4
- SCREW D = 2
- SCREW G = 1
- SCREW J = 2

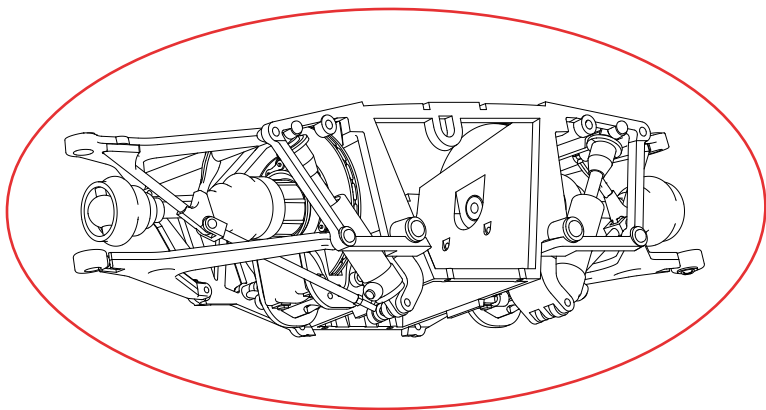
1



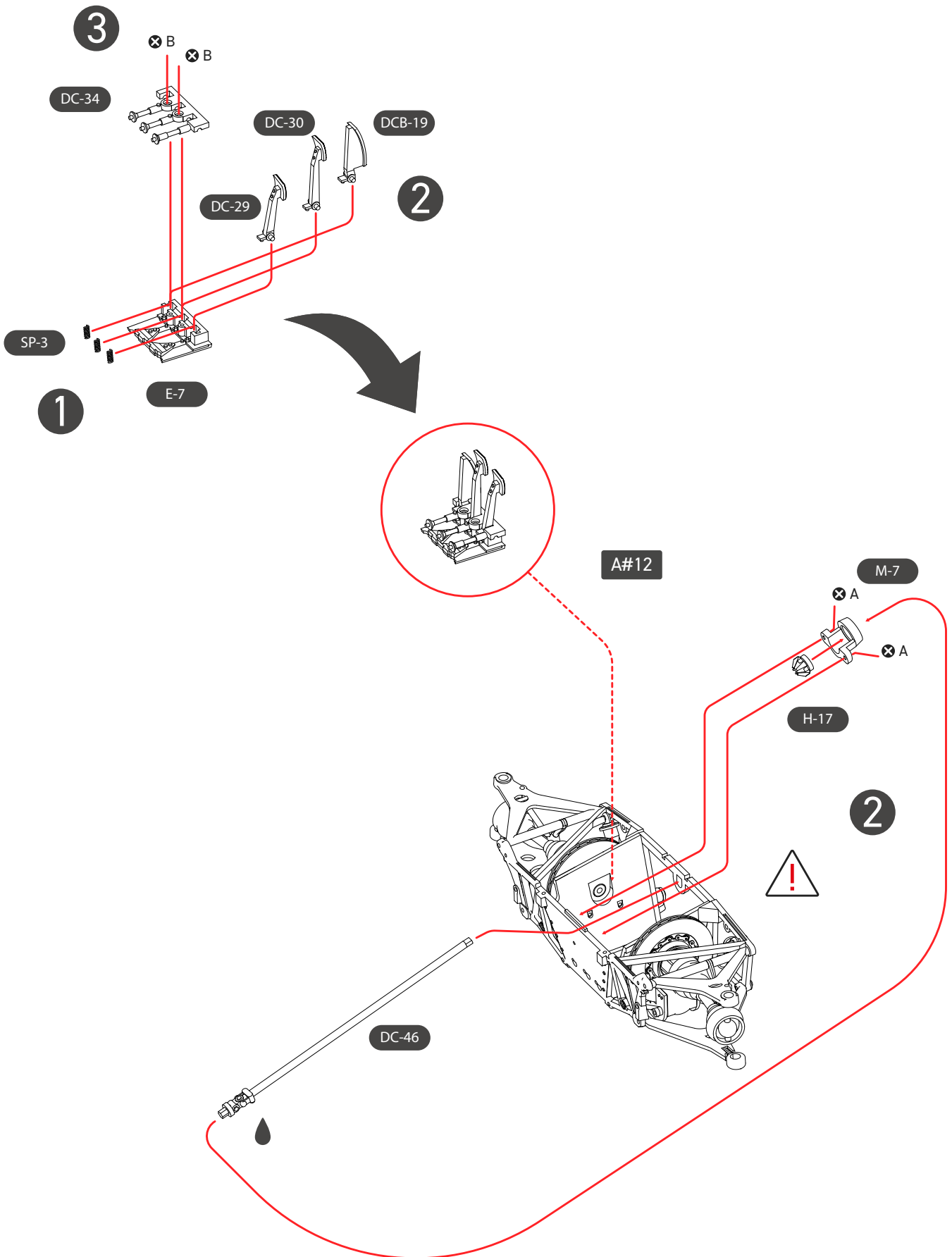
A#11



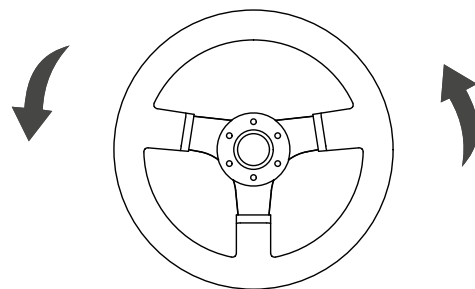
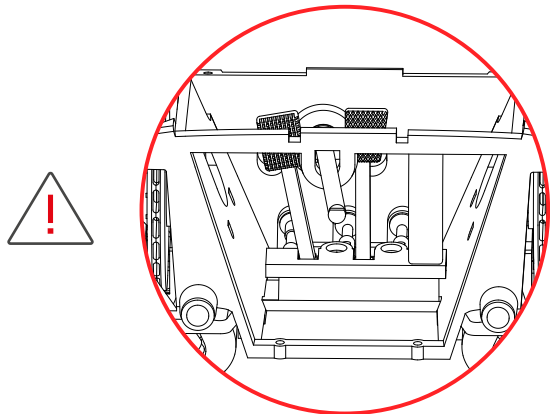
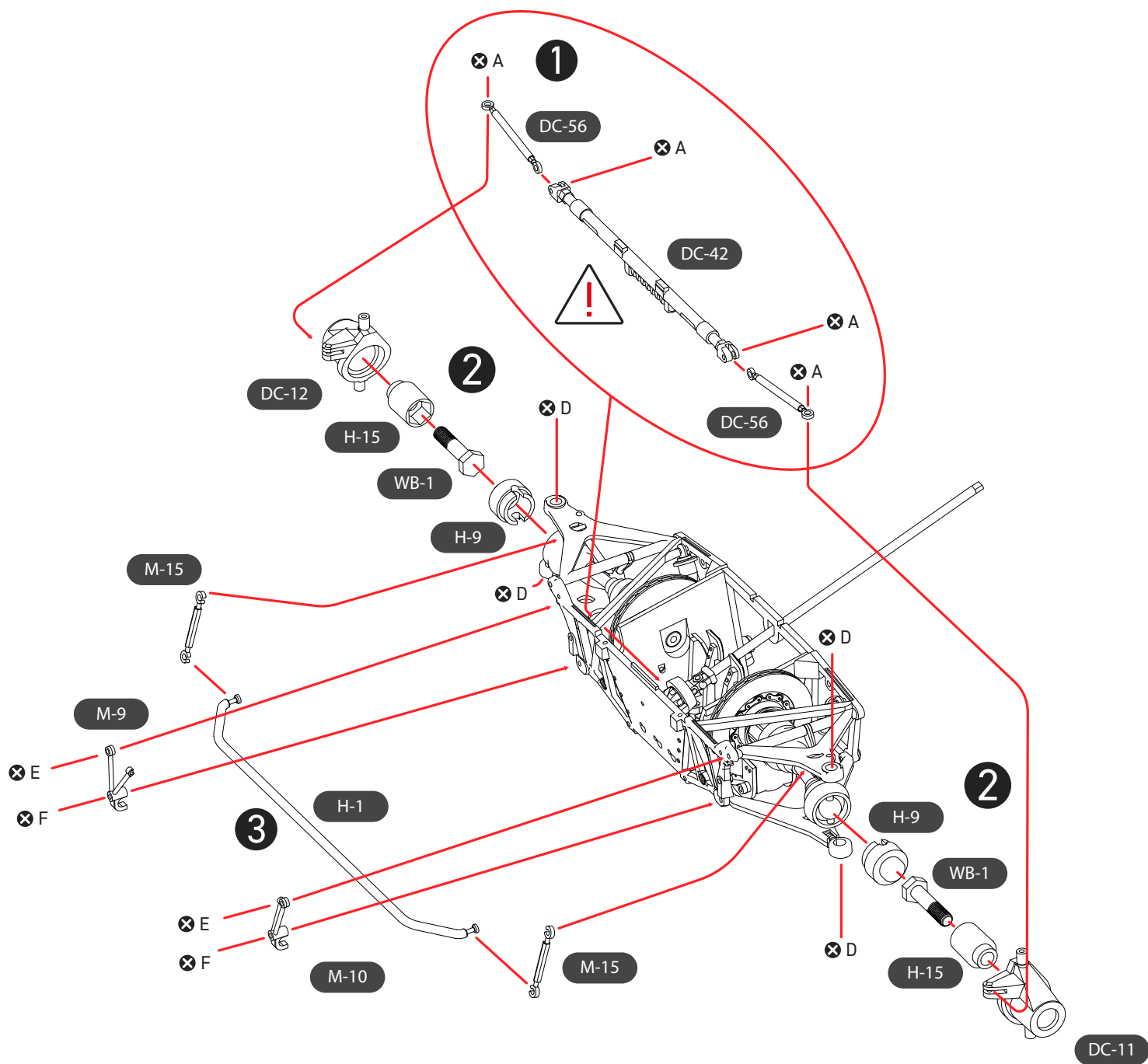
2



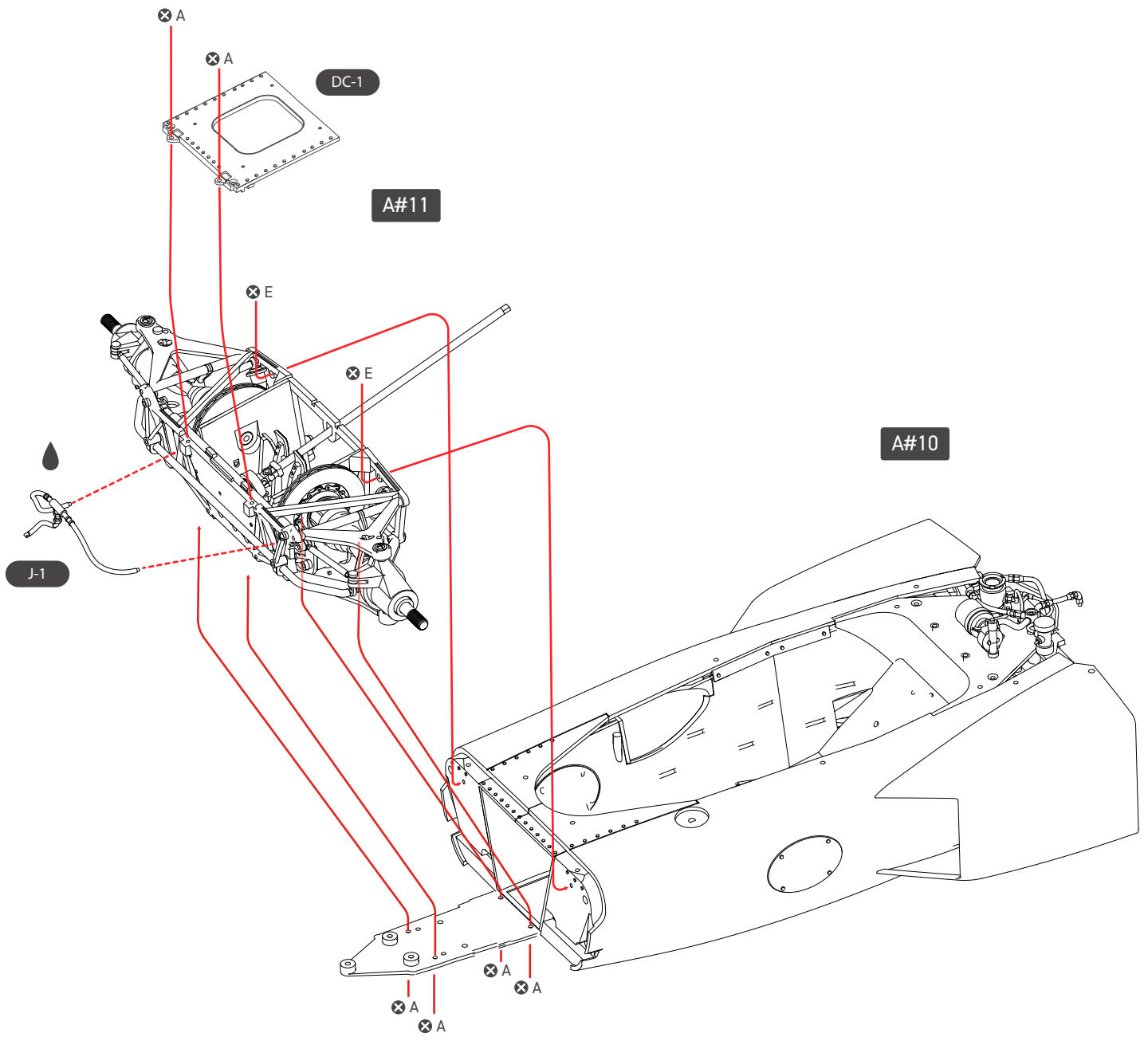
SCREW A = 14
SCREW E = 2
SCREW H = 2



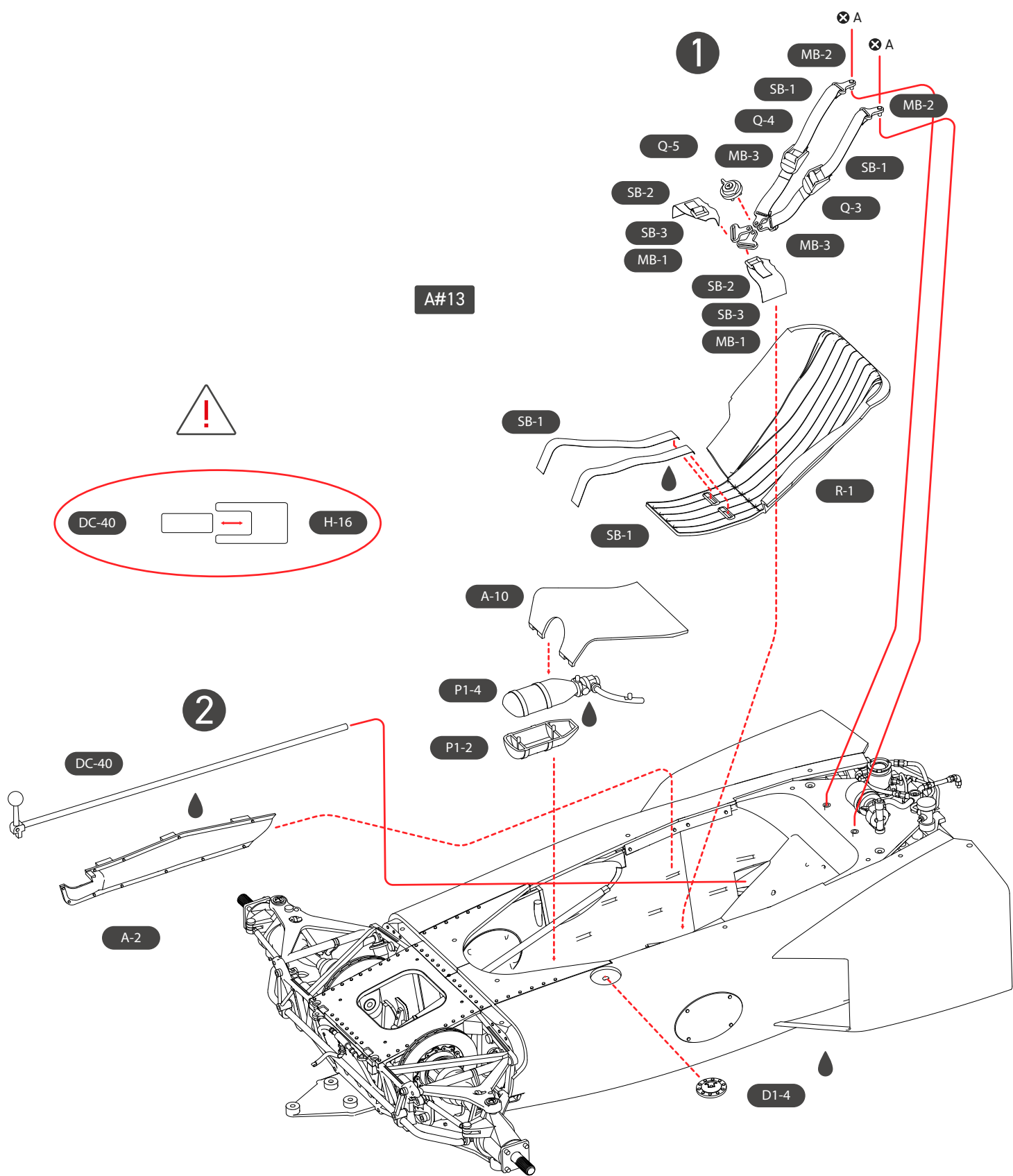
SCREW A = 2
SCREW B = 2



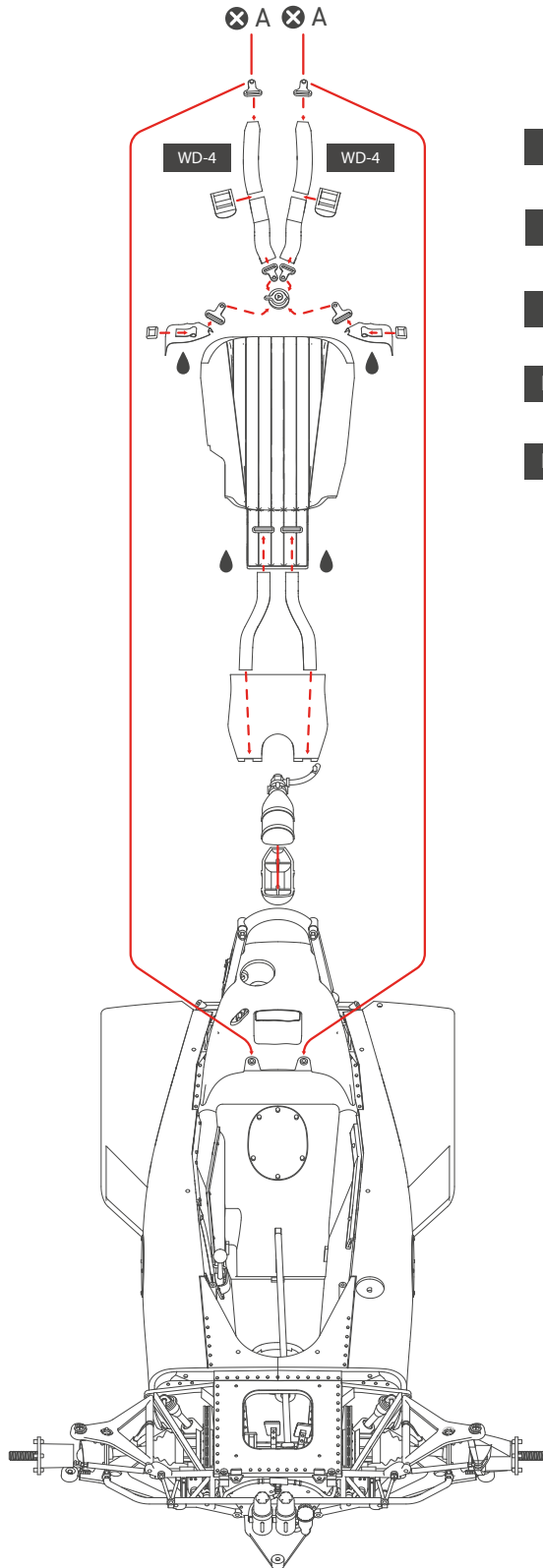
SCREW A = 4
 SCREW D = 4
 SCREW E = 2
 SCREW F = 2



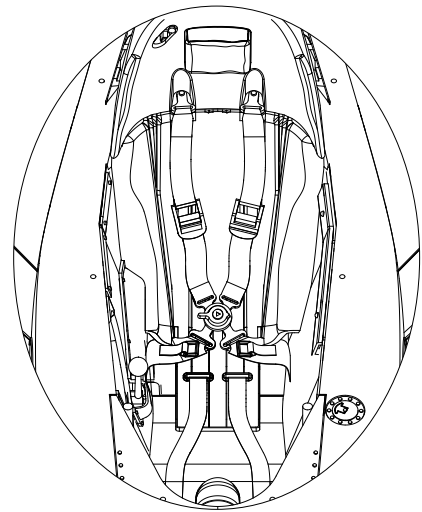
SCREW A = 6
SCREW E = 2

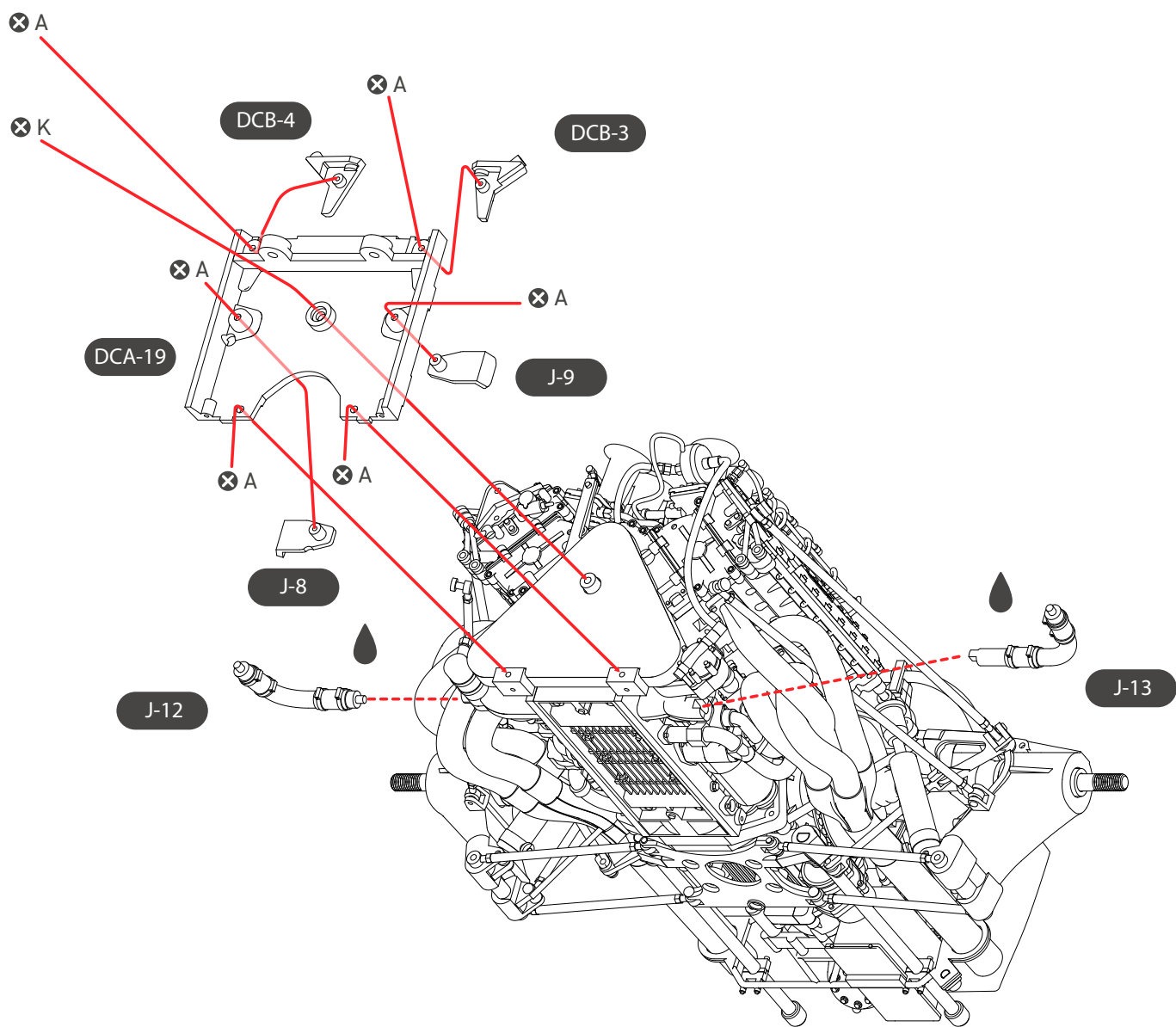


SCREW A = 2

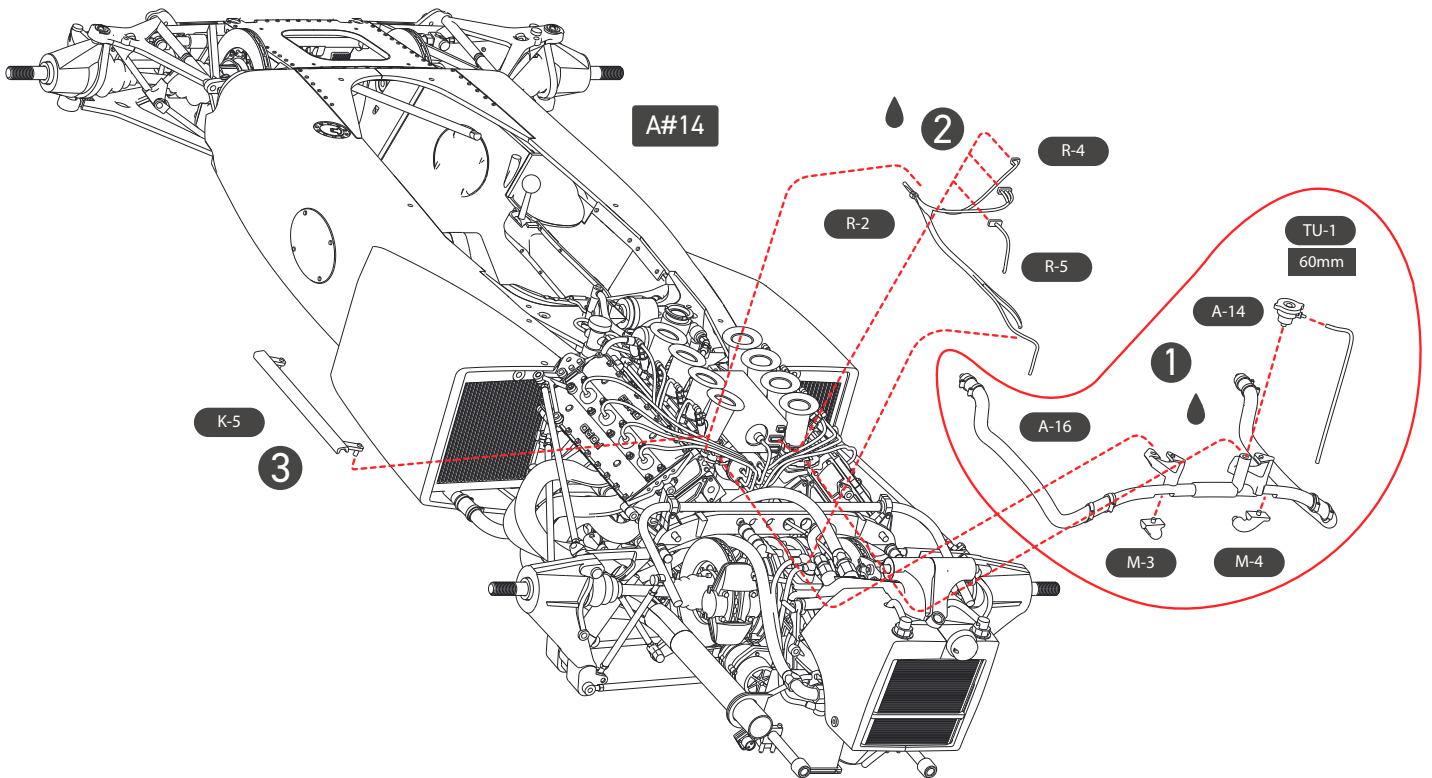
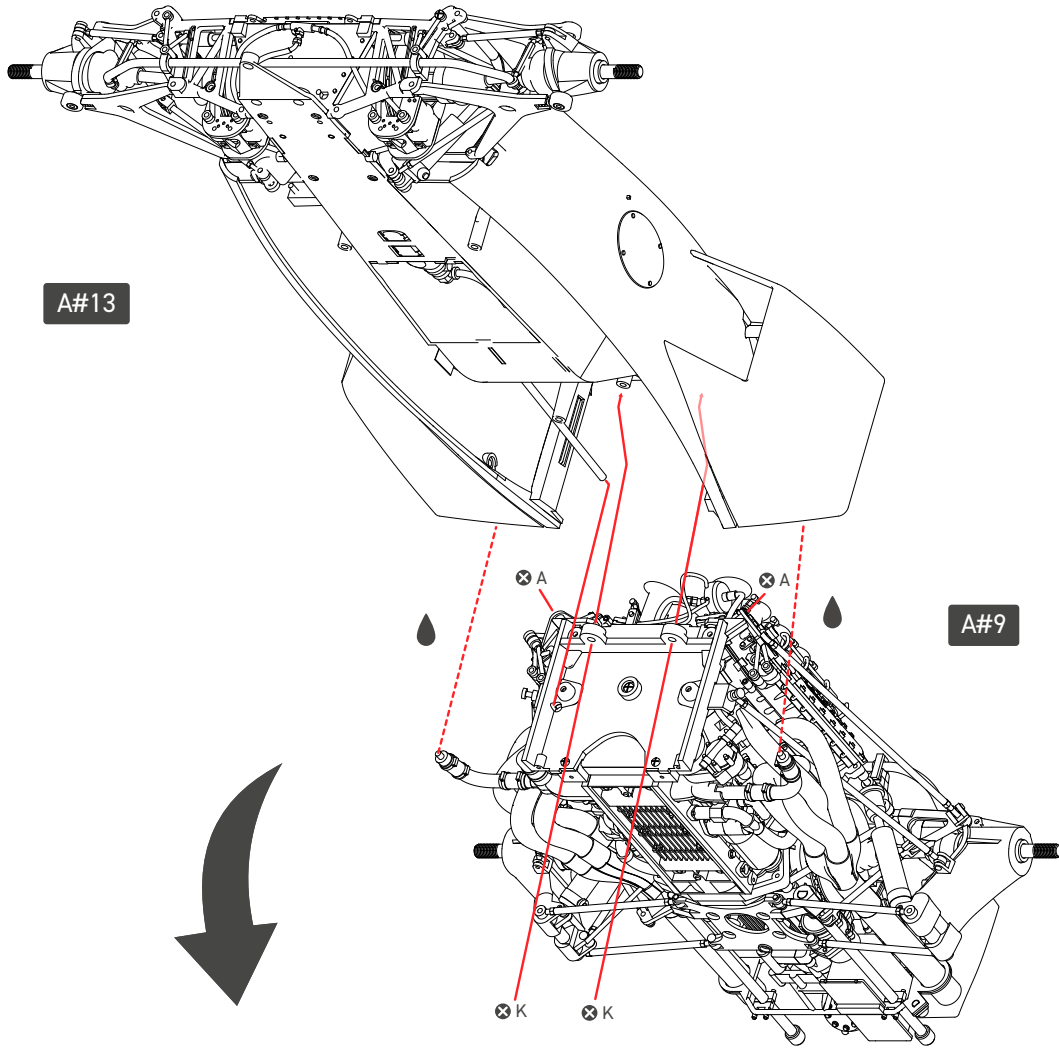


Top	SB-1	40mm
Mid	SB-1	45mm
Lap	SB-2	30mm
Lap 2	SB-3	11mm
Lower	SB-1	67mm

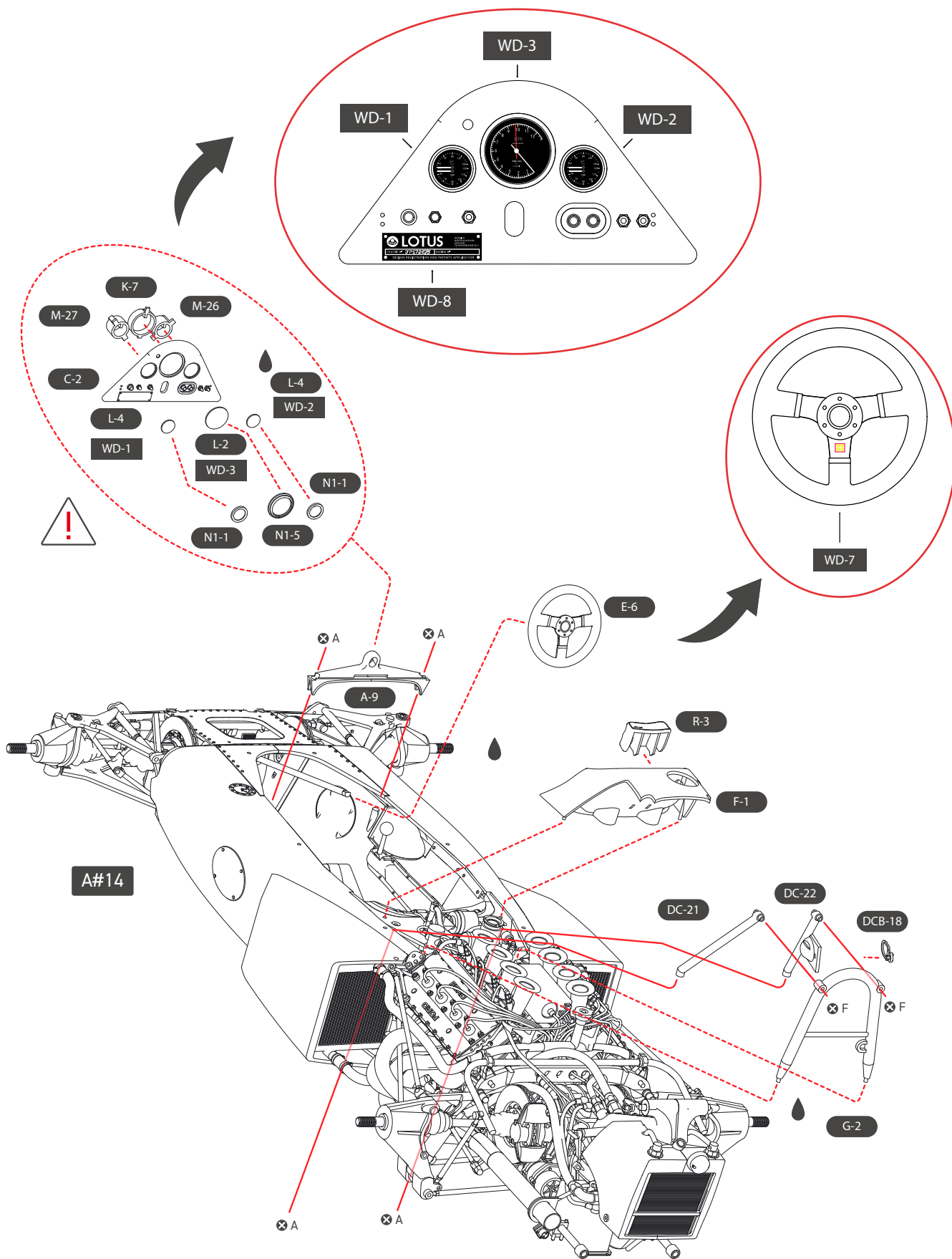




SCREW A = 6
SCREW K = 1



SCREW A = 2
SCREW K = 2



SCREW A = 4
 SCREW F = 2