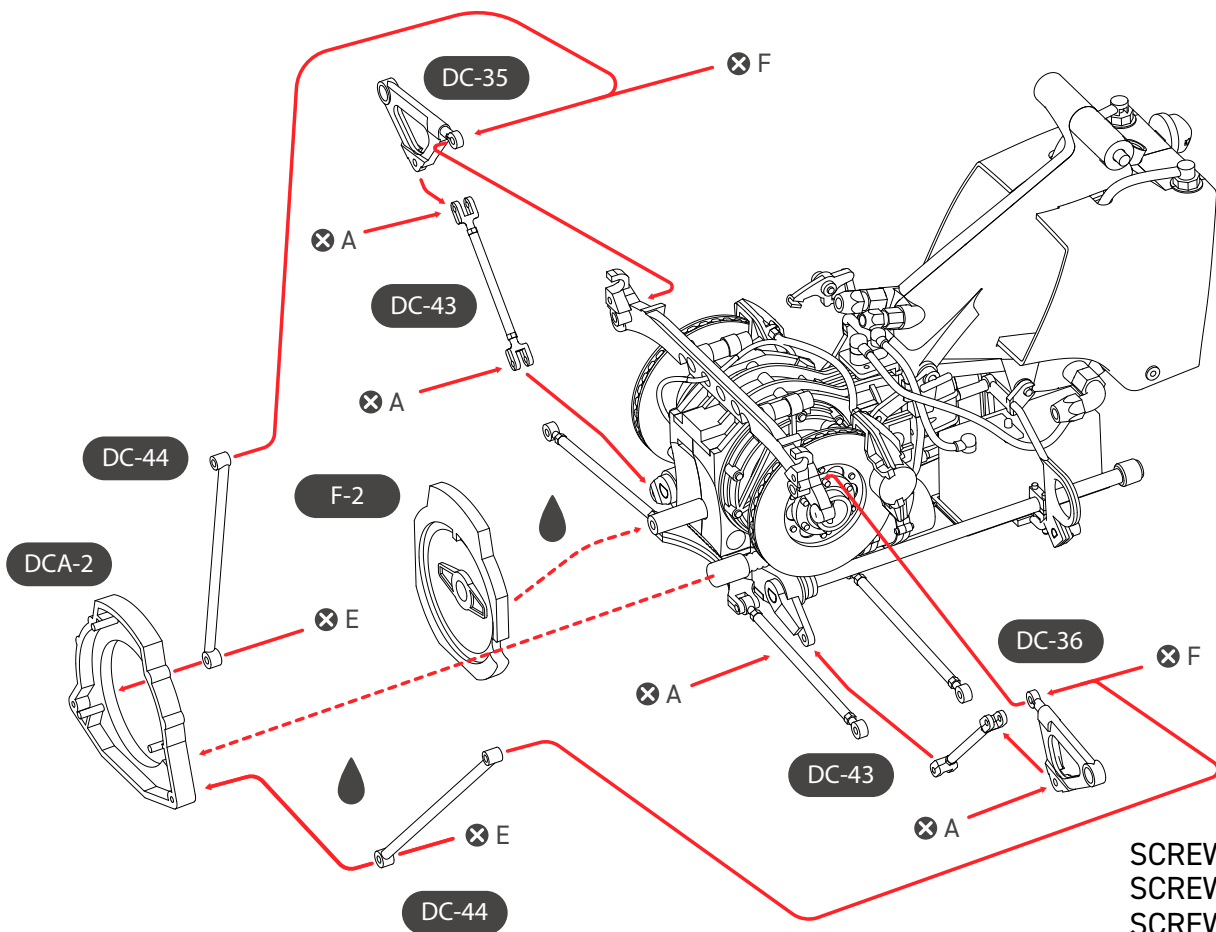
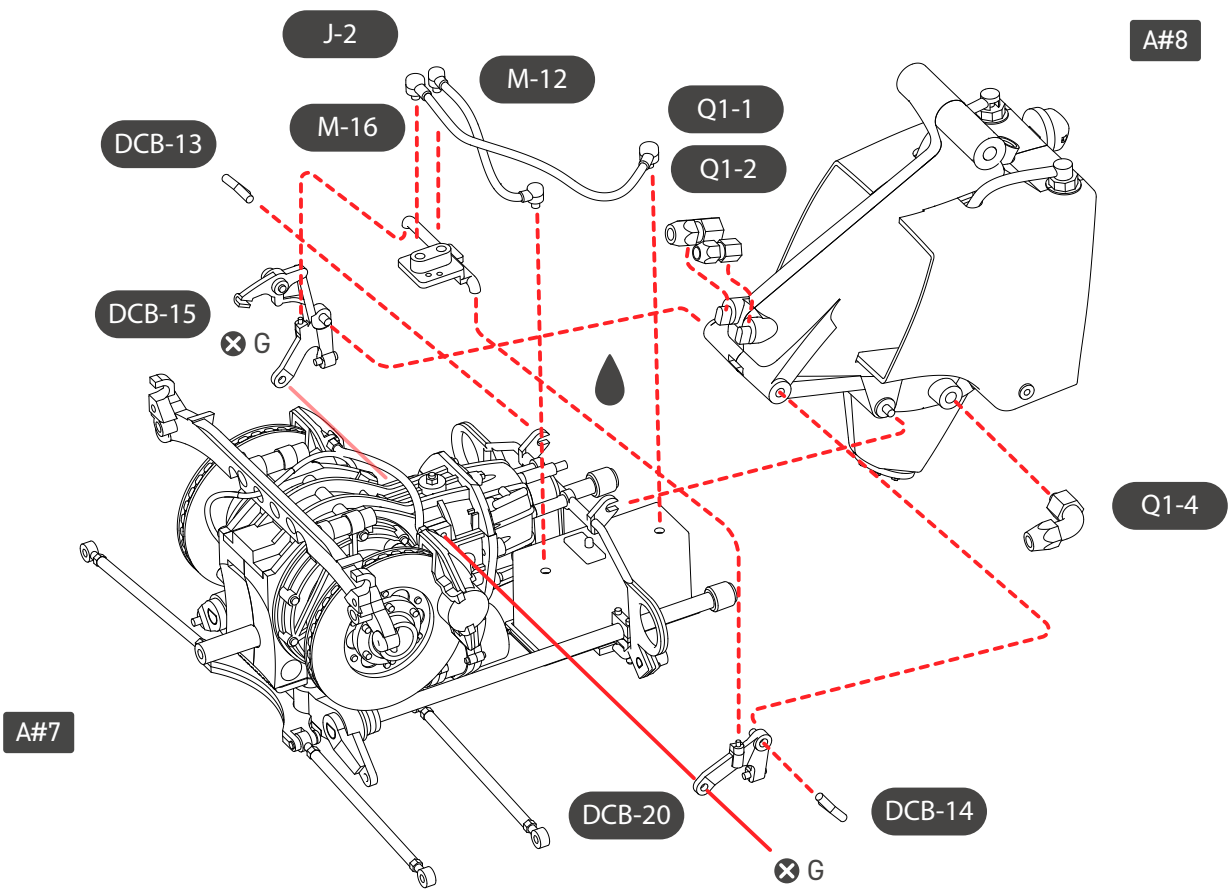
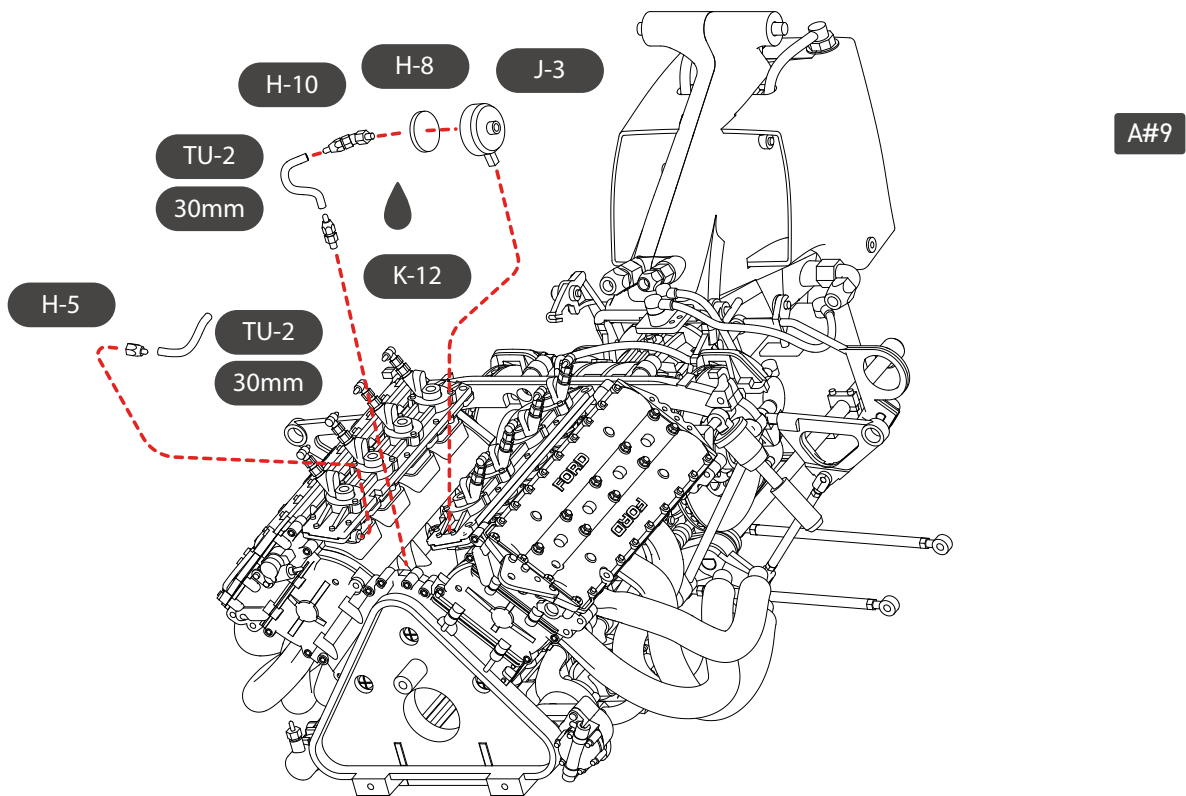
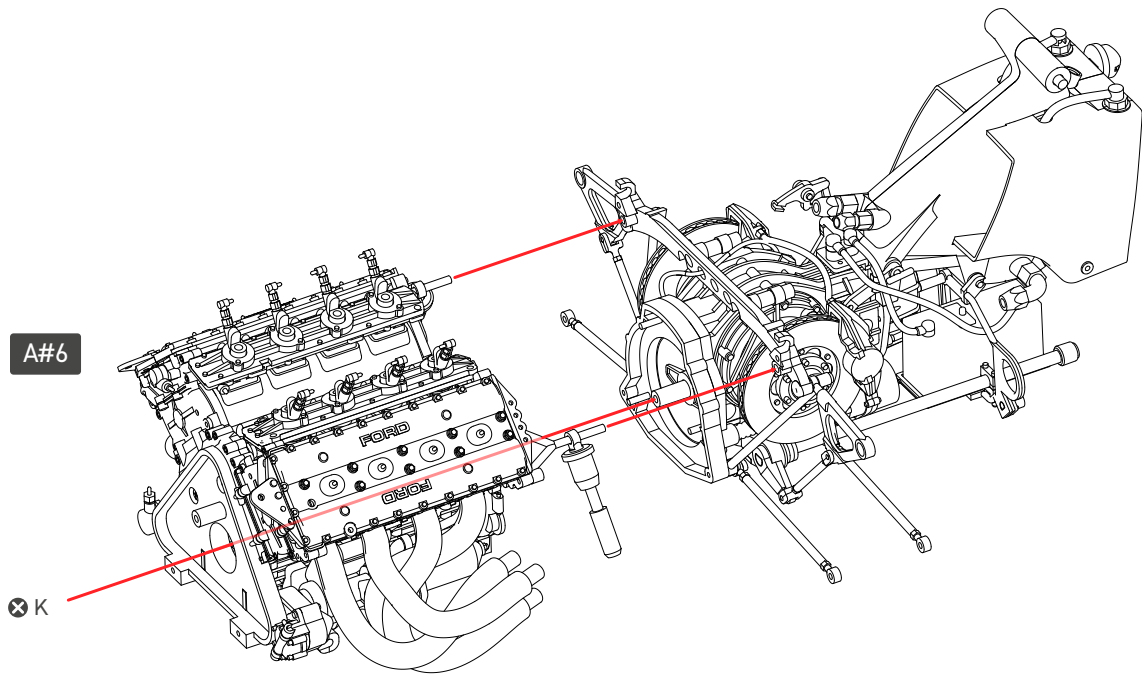


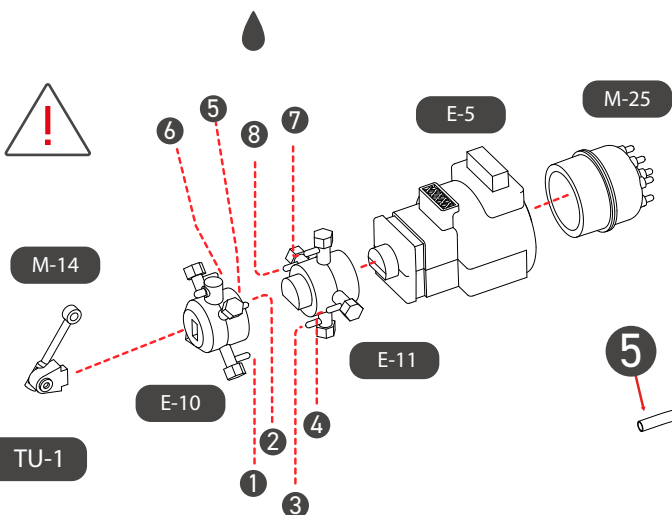
SCREW K = 2



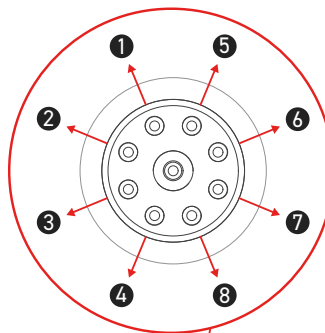
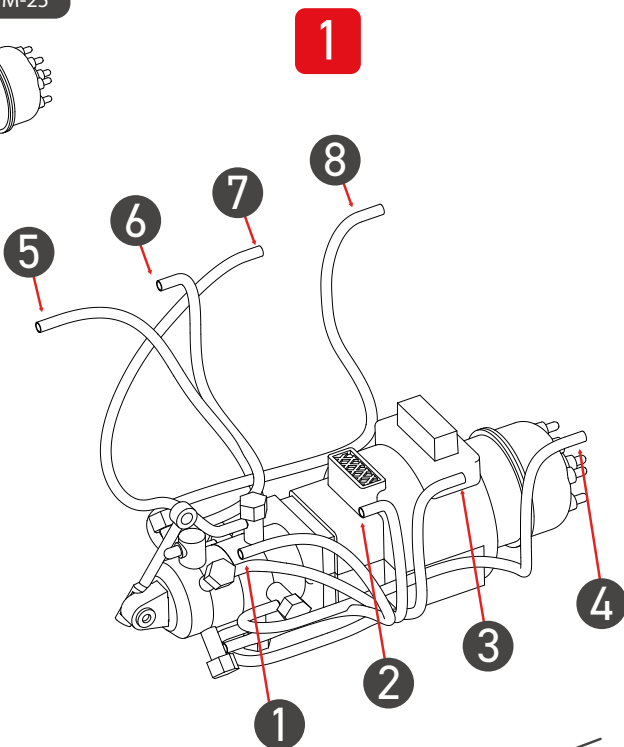
- SCREW A = 4
- SCREW E = 2
- SCREW F = 2
- SCREW G = 2



SCREW K = 1



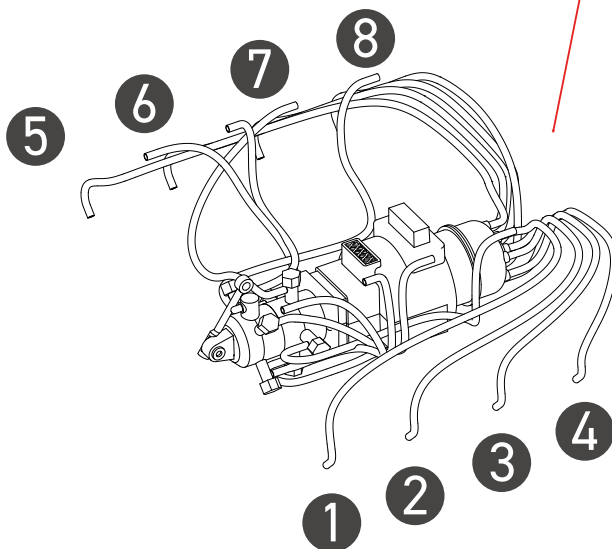
- 1 50mm
- 2 42mm
- 3 50mm
- 4 60mm
- 5 50mm
- 6 45mm
- 7 53mm
- 8 63mm

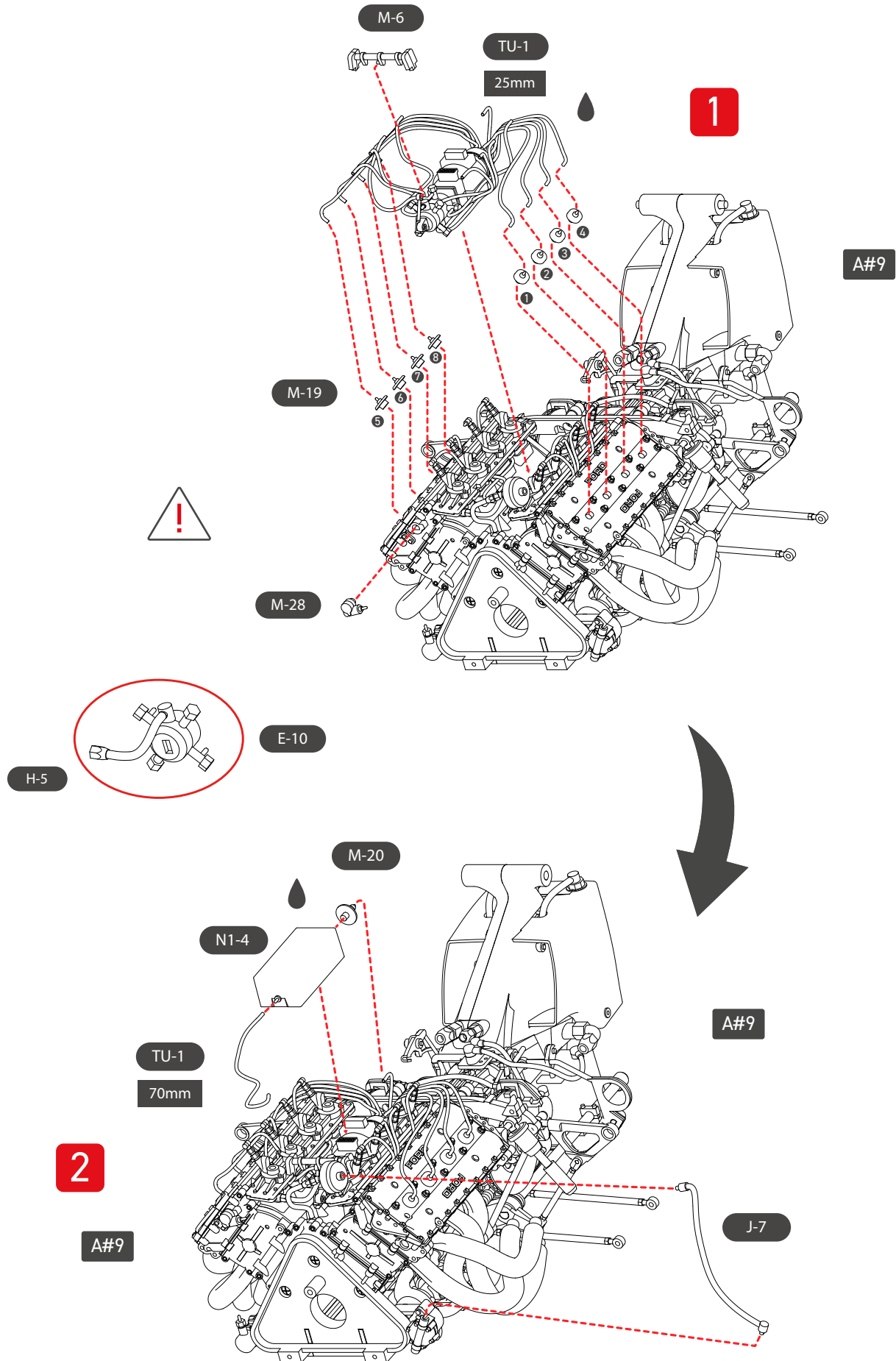


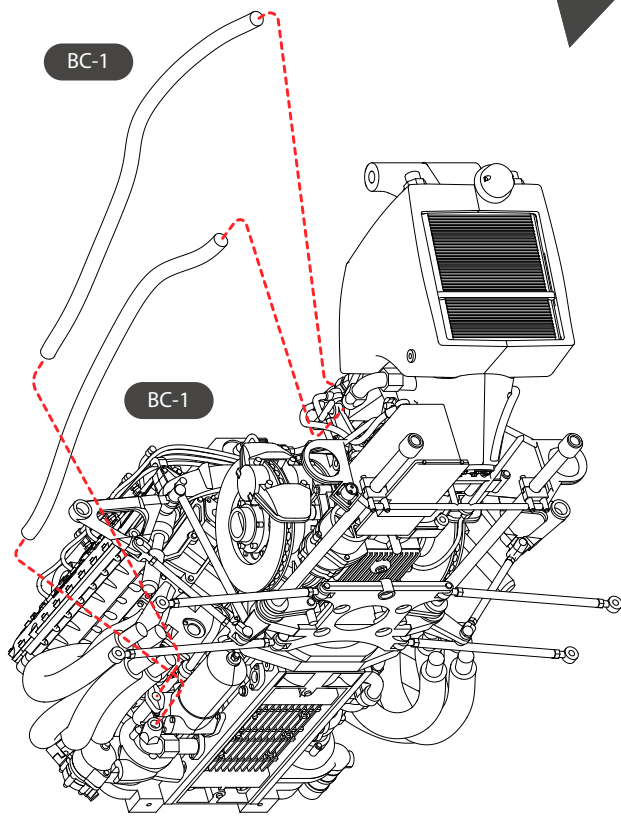
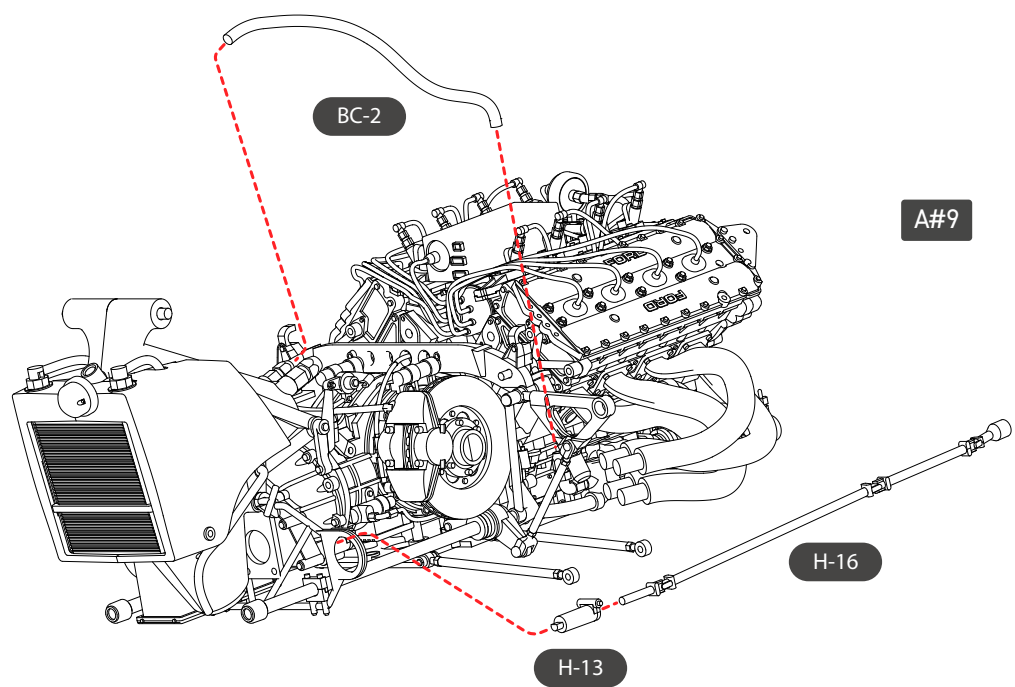
**2**

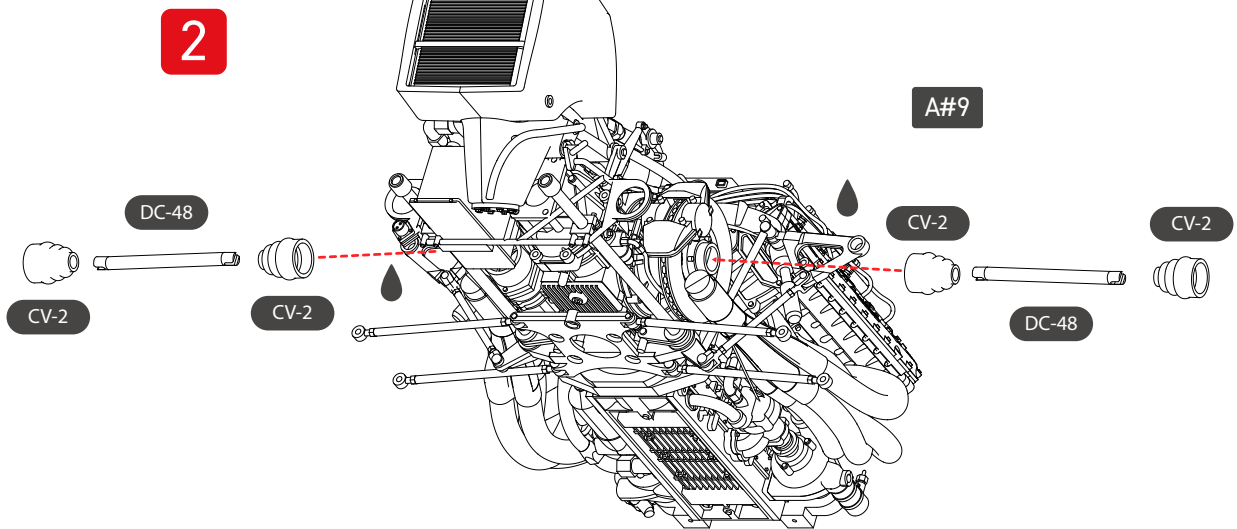
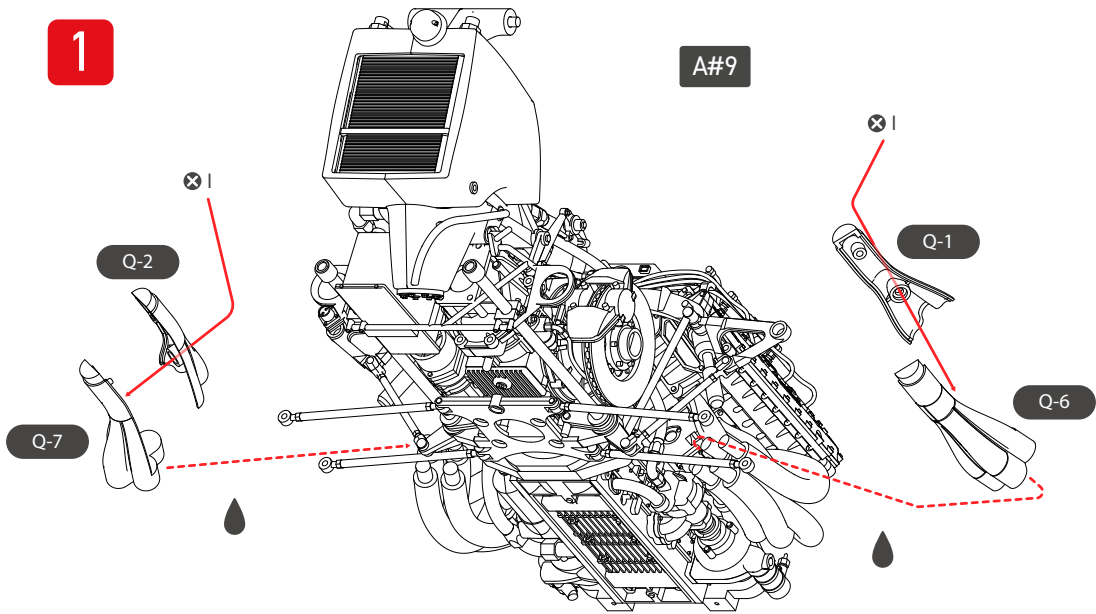
TU-1

- 1 83mm
- 2 73mm
- 3 63mm
- 4 55mm
- 5 75mm
- 6 66mm
- 7 60mm
- 8 56mm





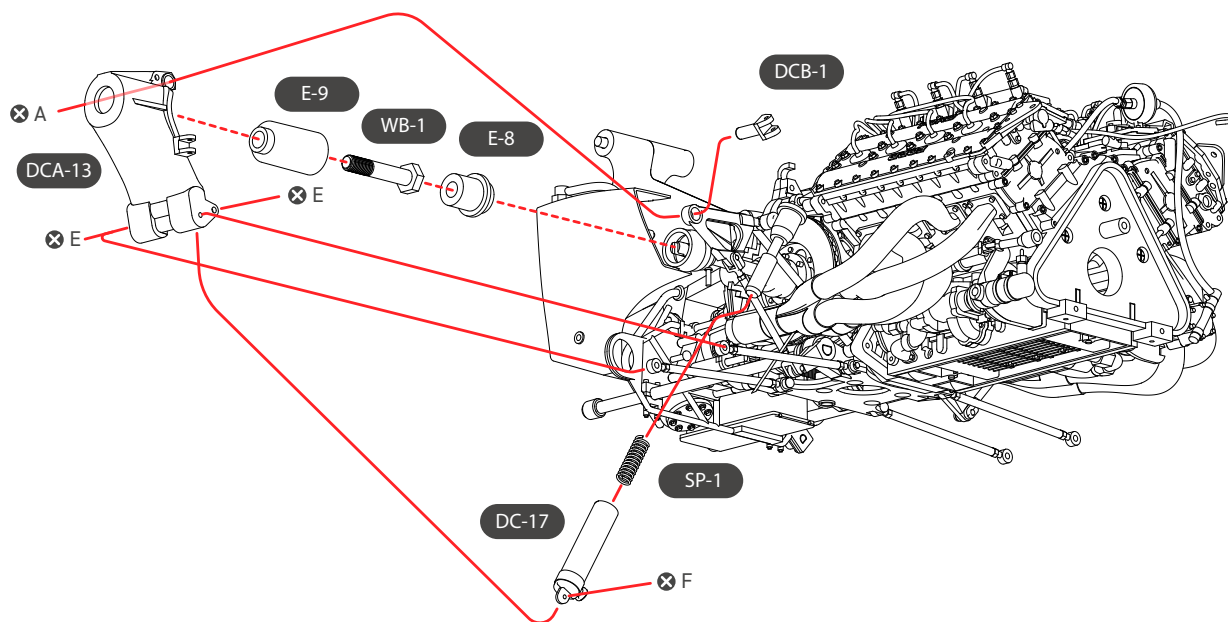




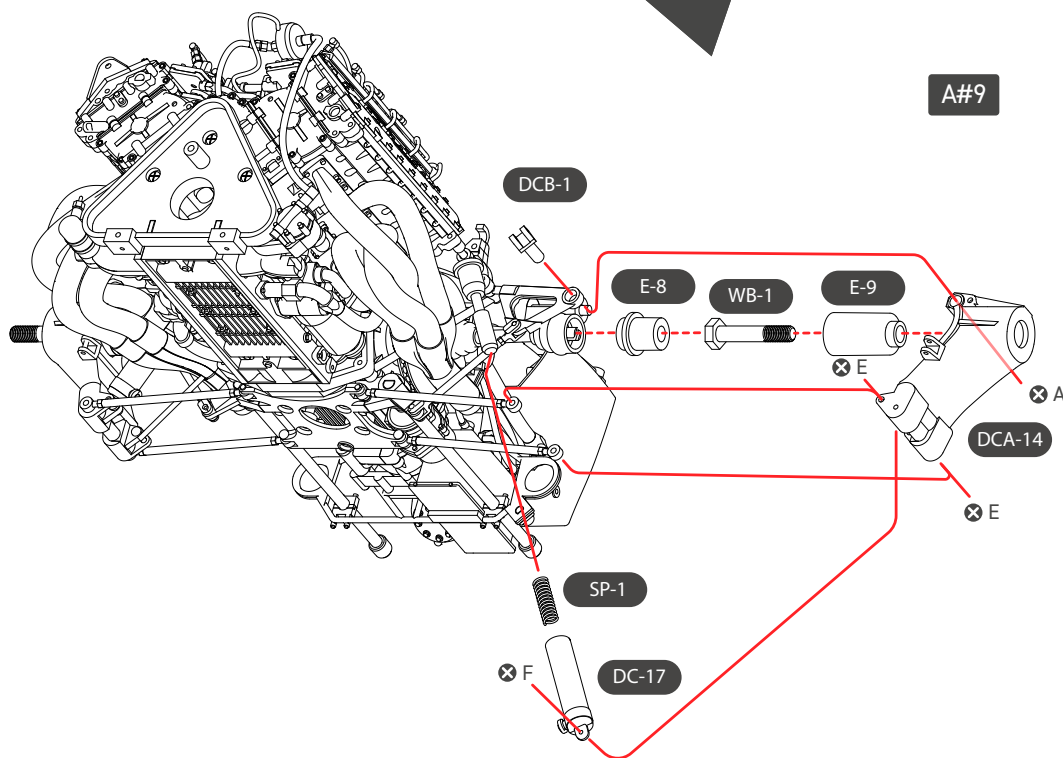
SCREW I = 2

3

A#9



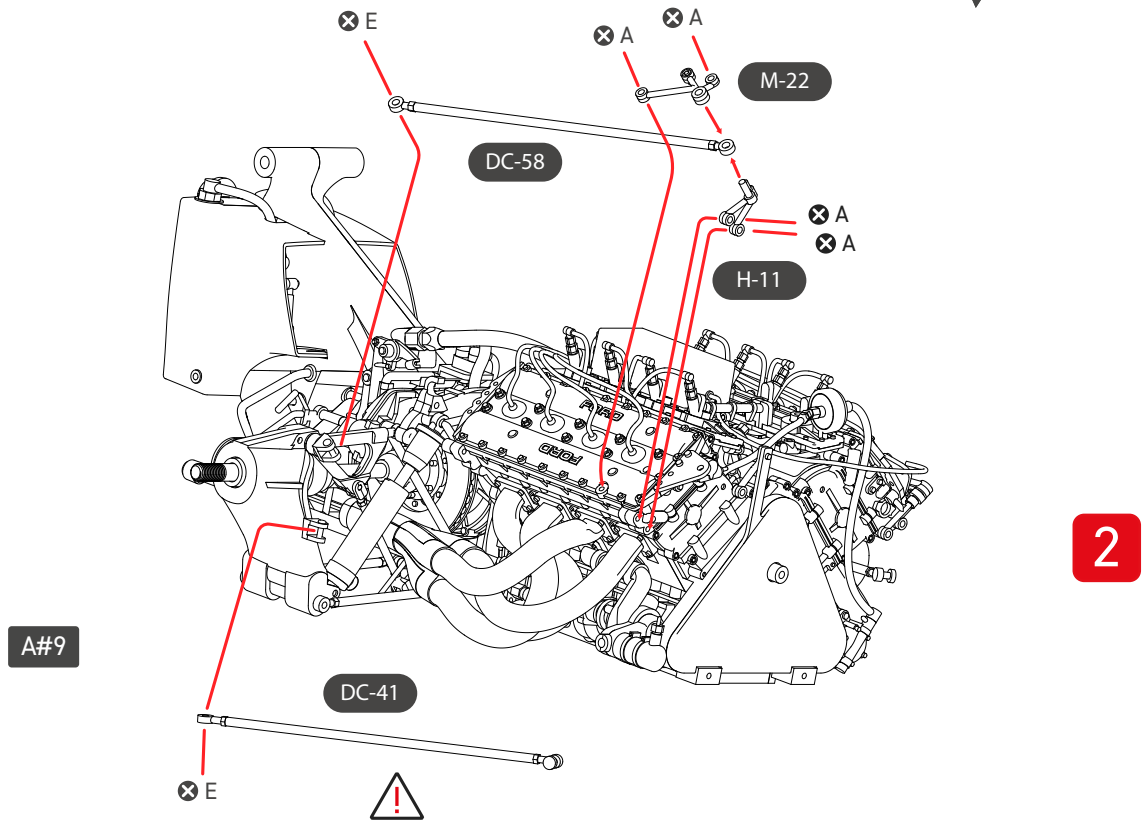
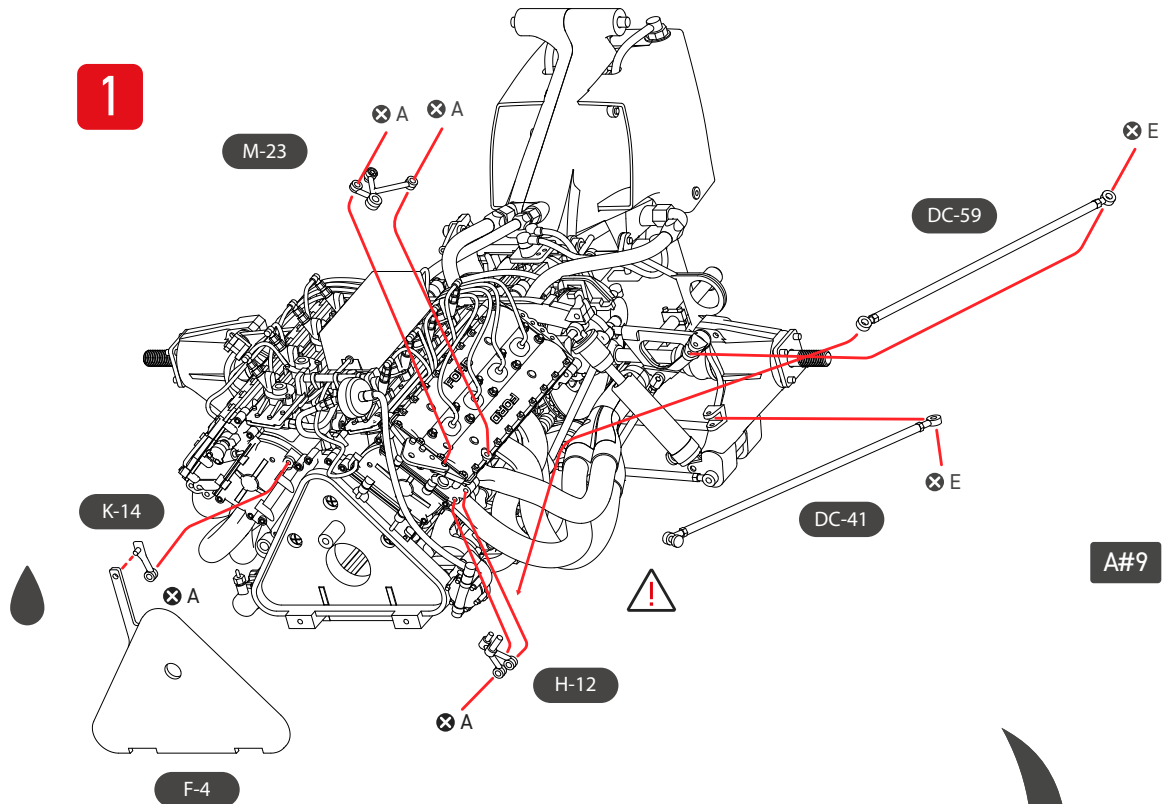
A#9



4

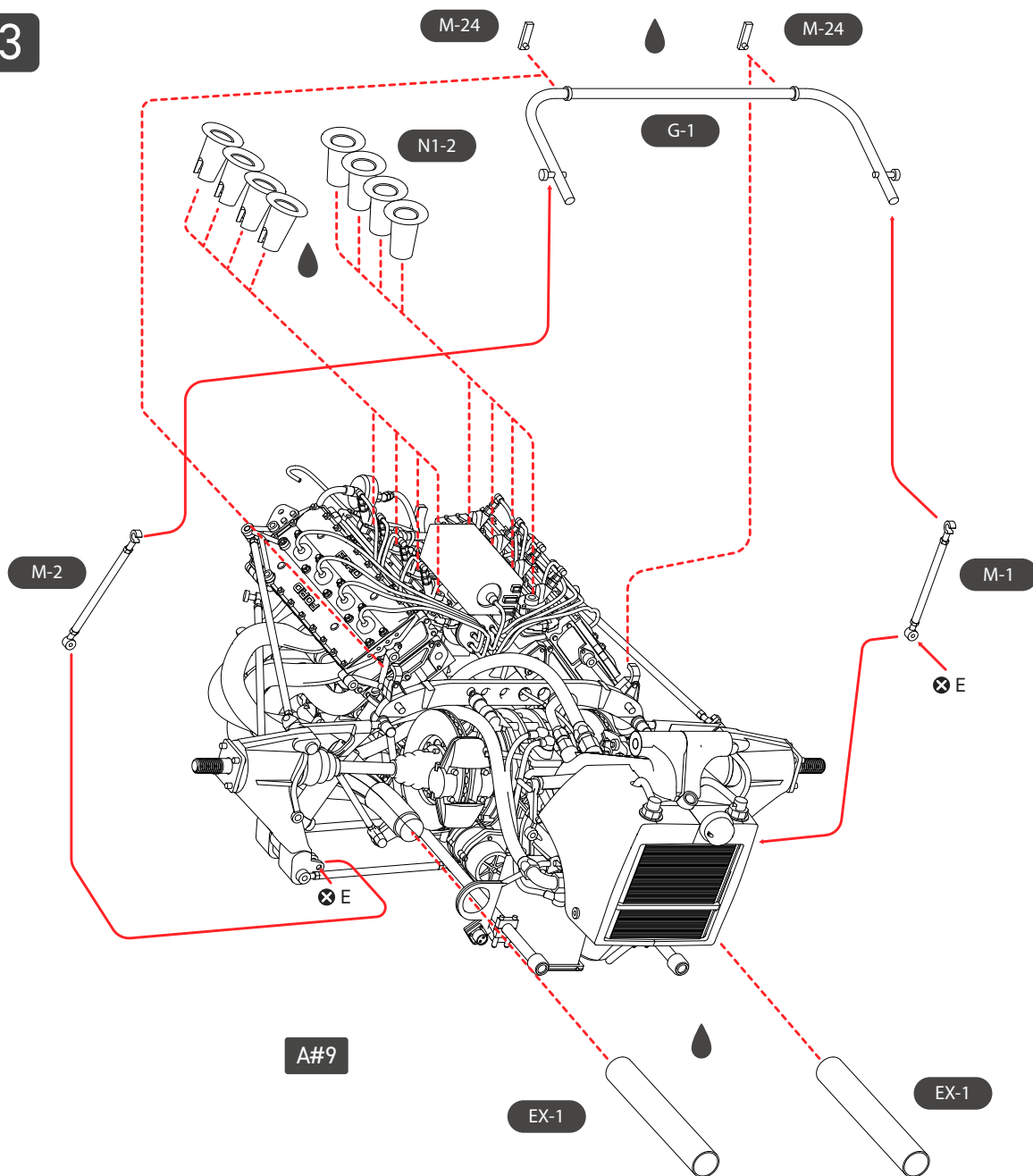
SCREW A = 2  
 SCREW E = 4  
 SCREW F = 2



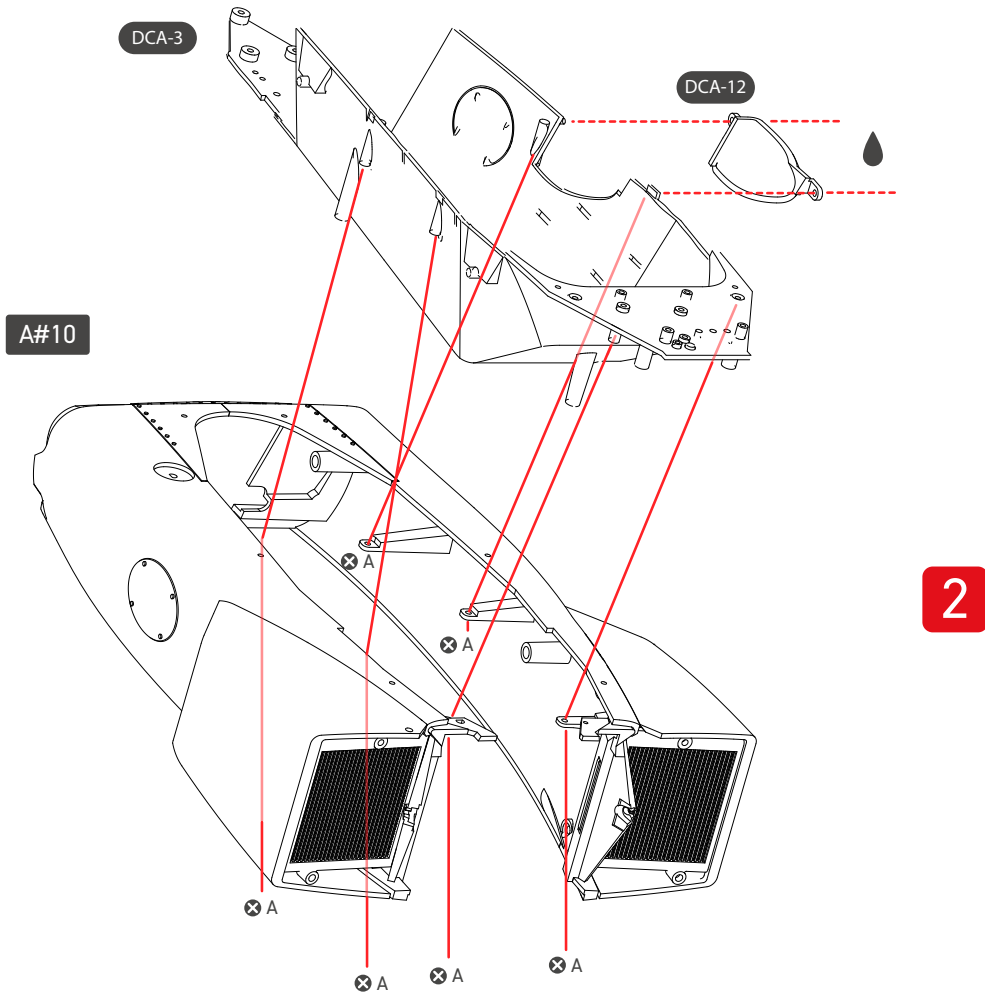
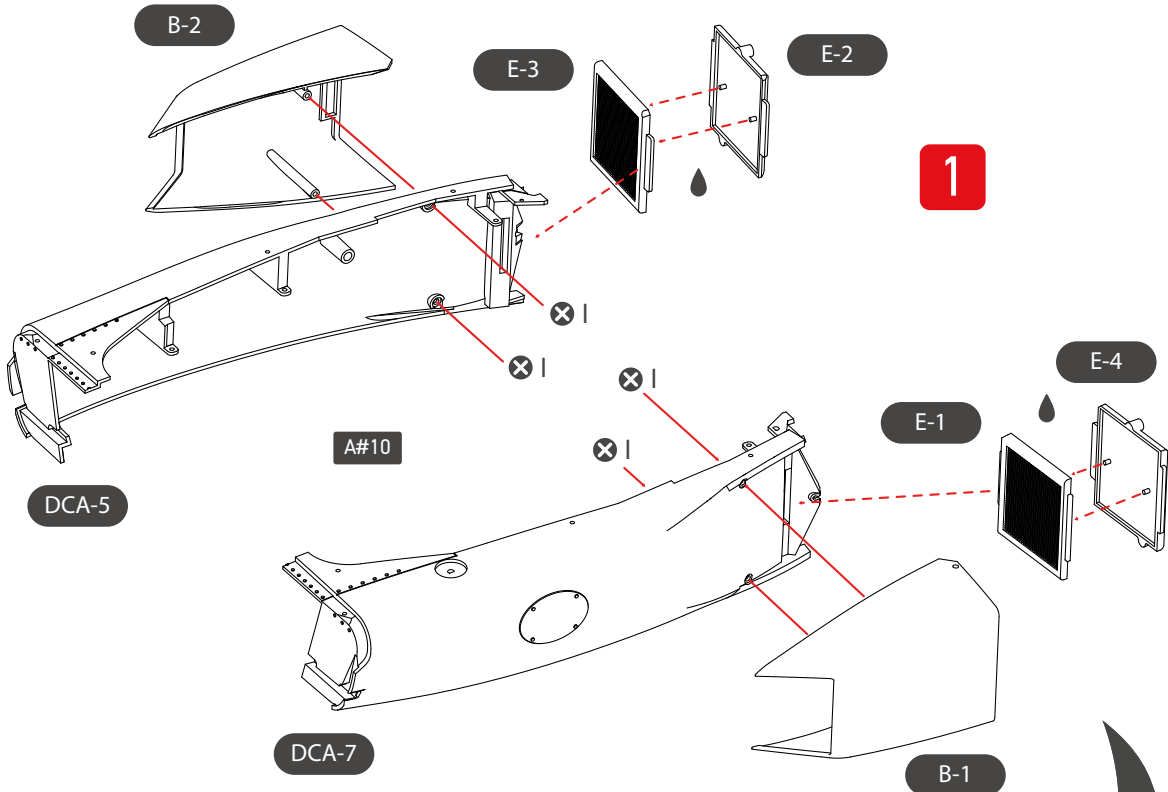


SCREW A = 9  
SCREW E = 4

3



SCREW E = 2



SCREW A = 6  
SCREW I = 4