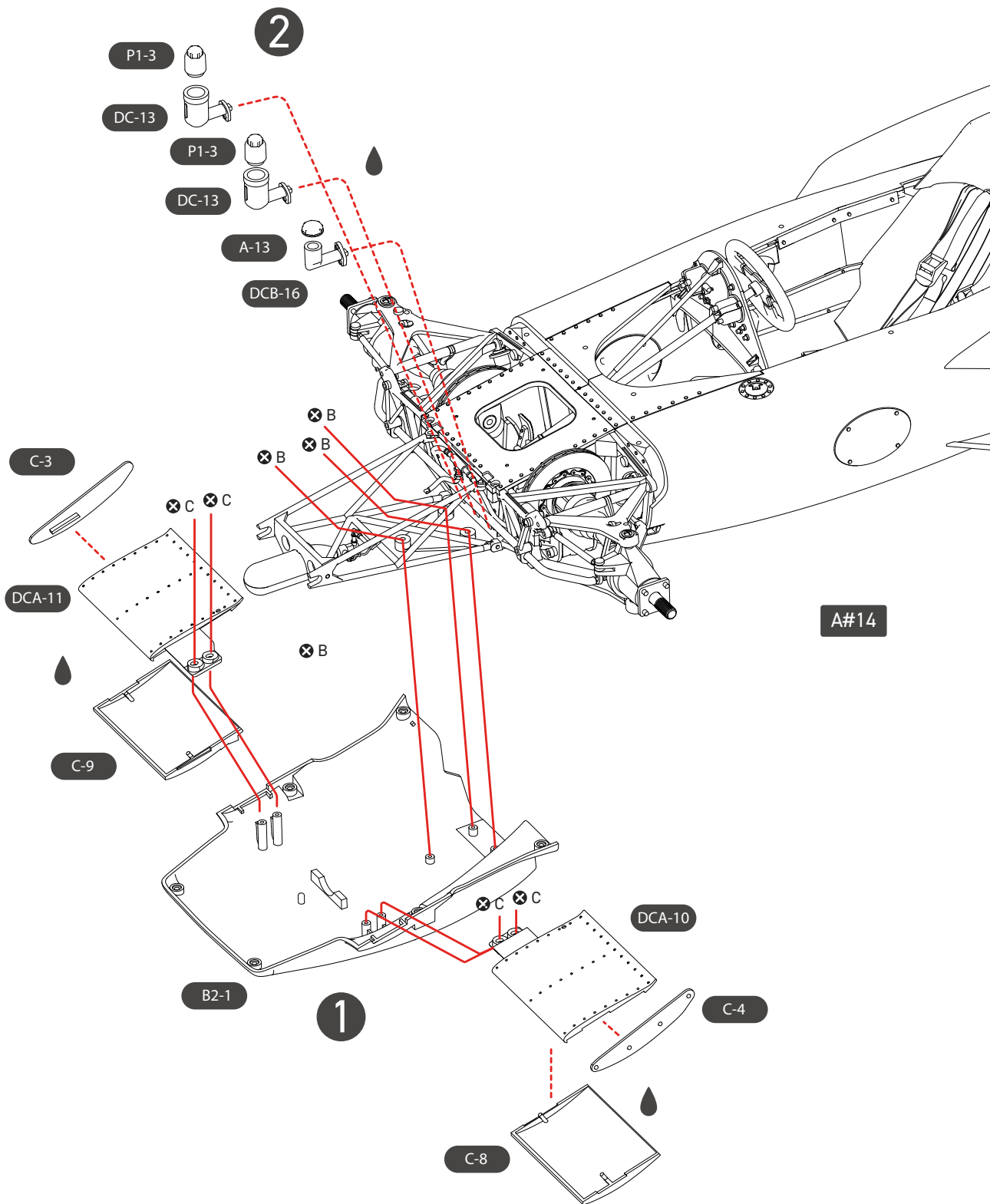
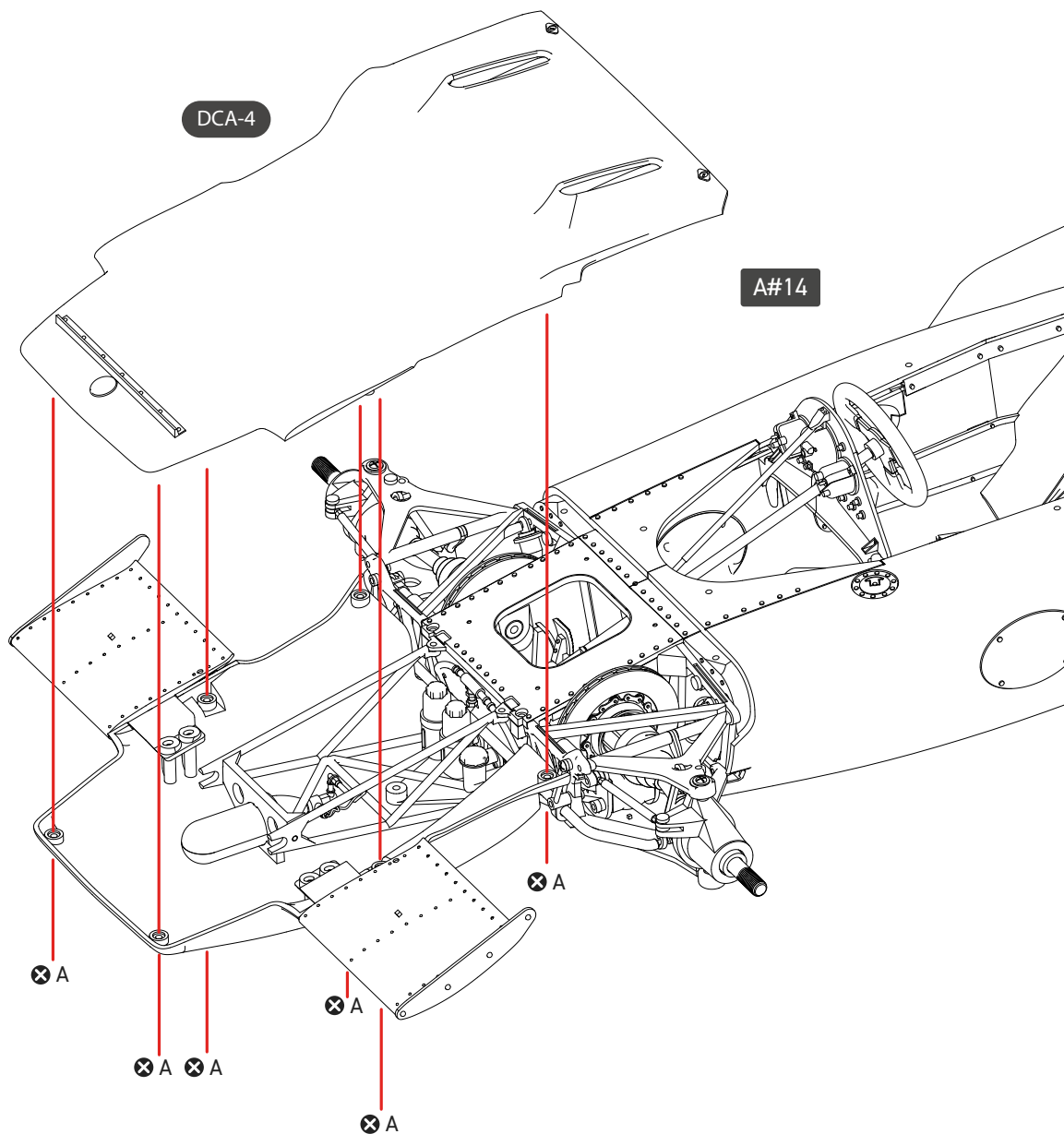


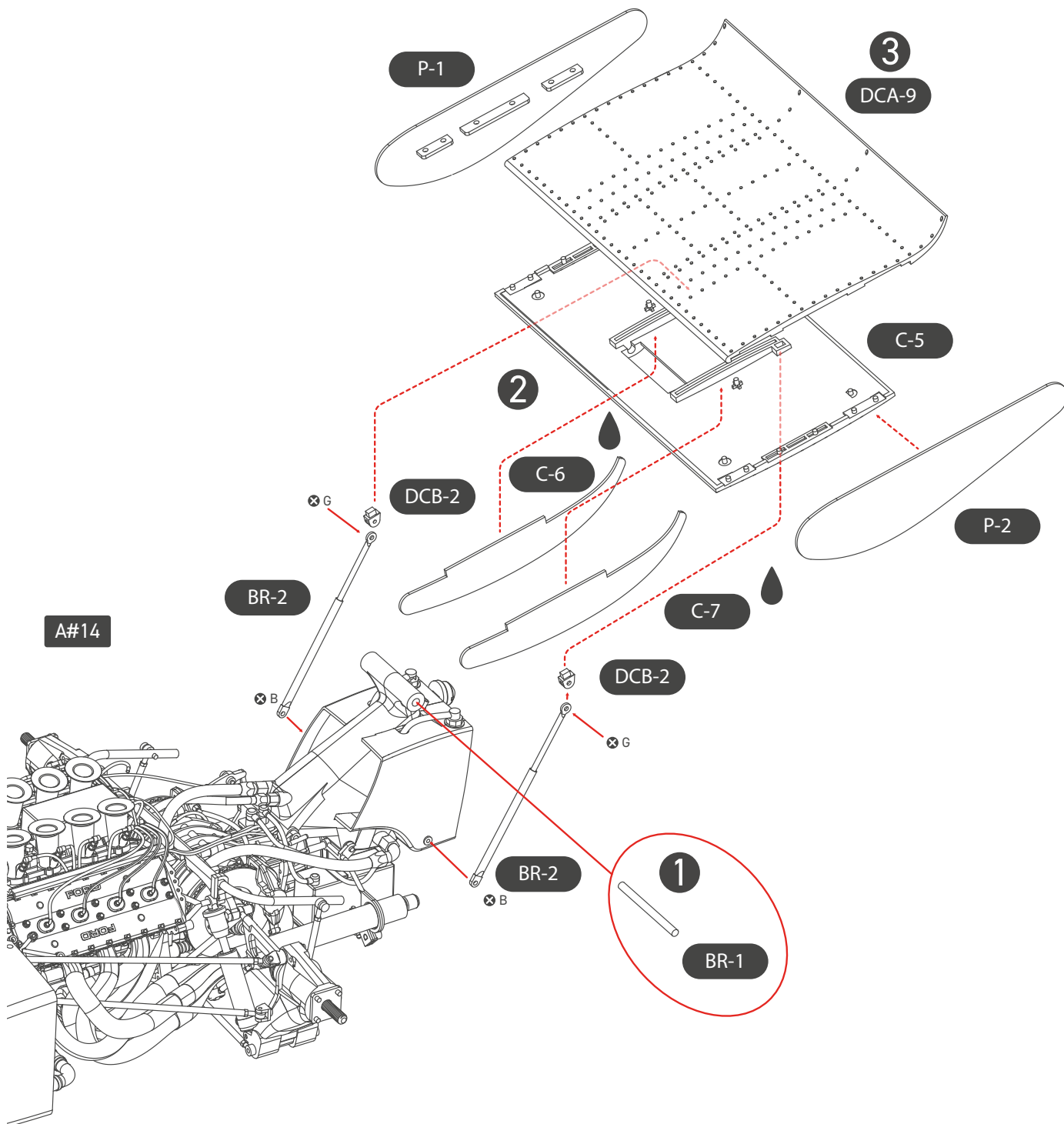
SCREW A = 2



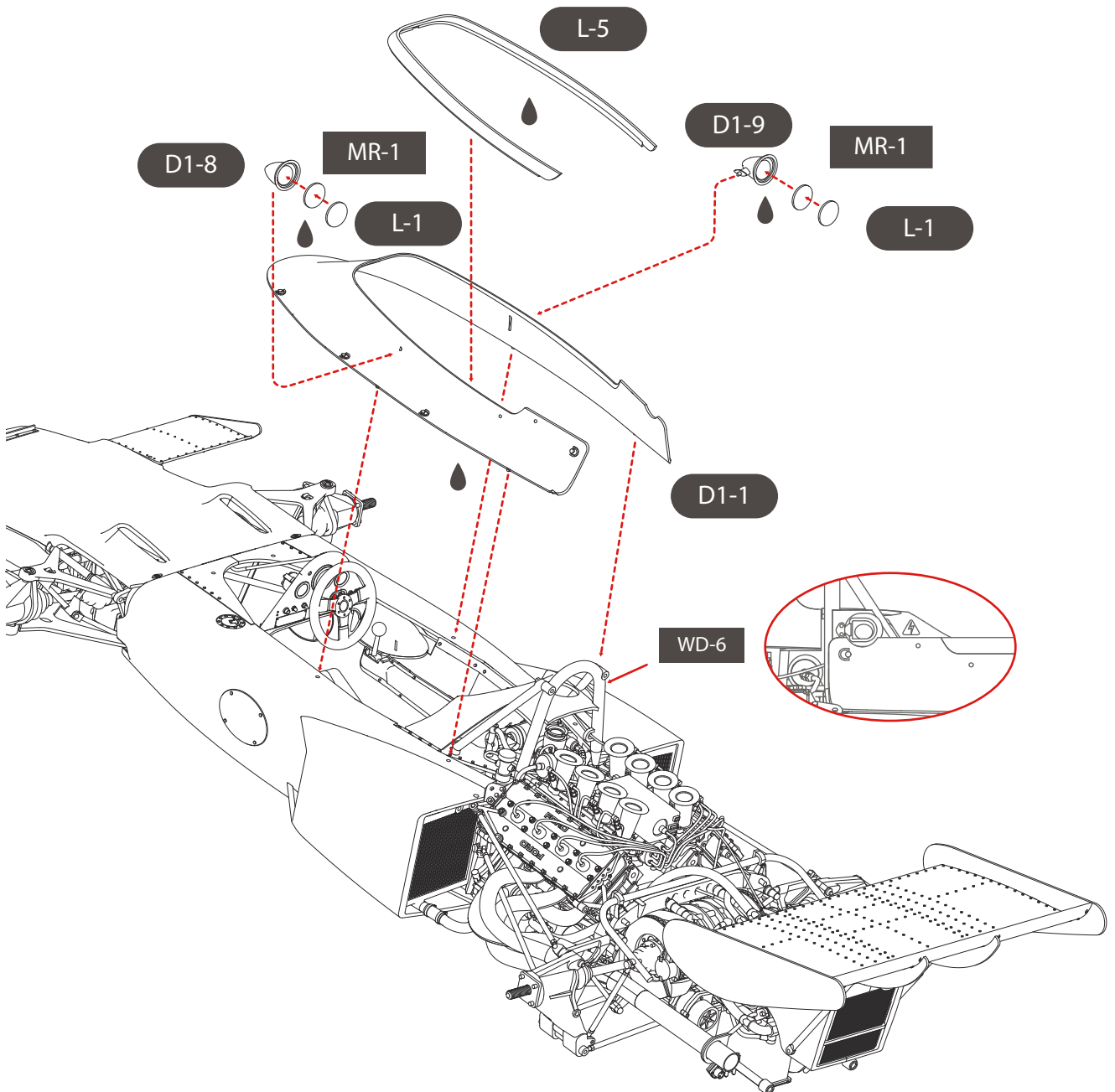
SCREW B = 3
SCREW C = 4

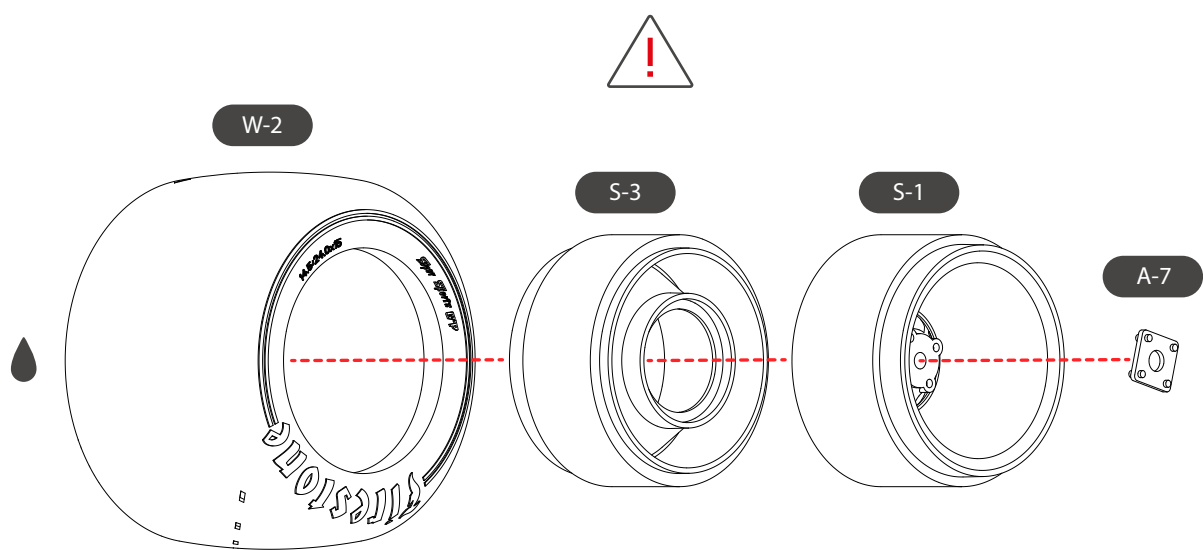
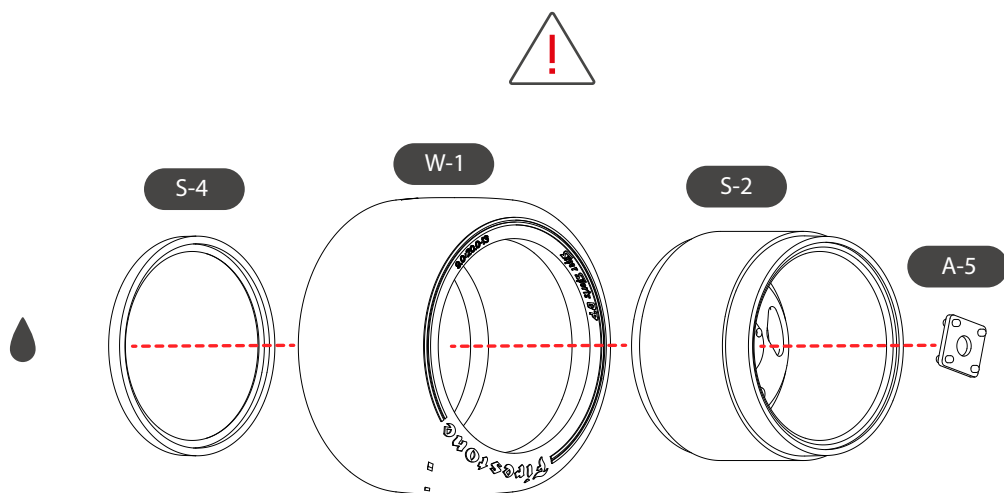


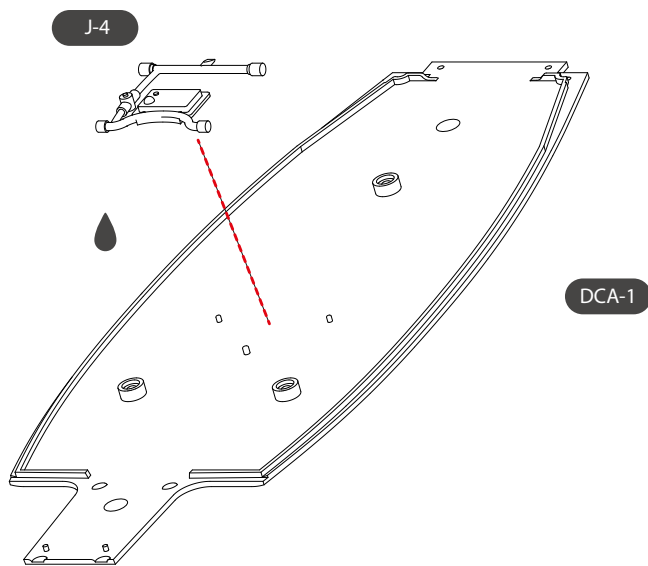
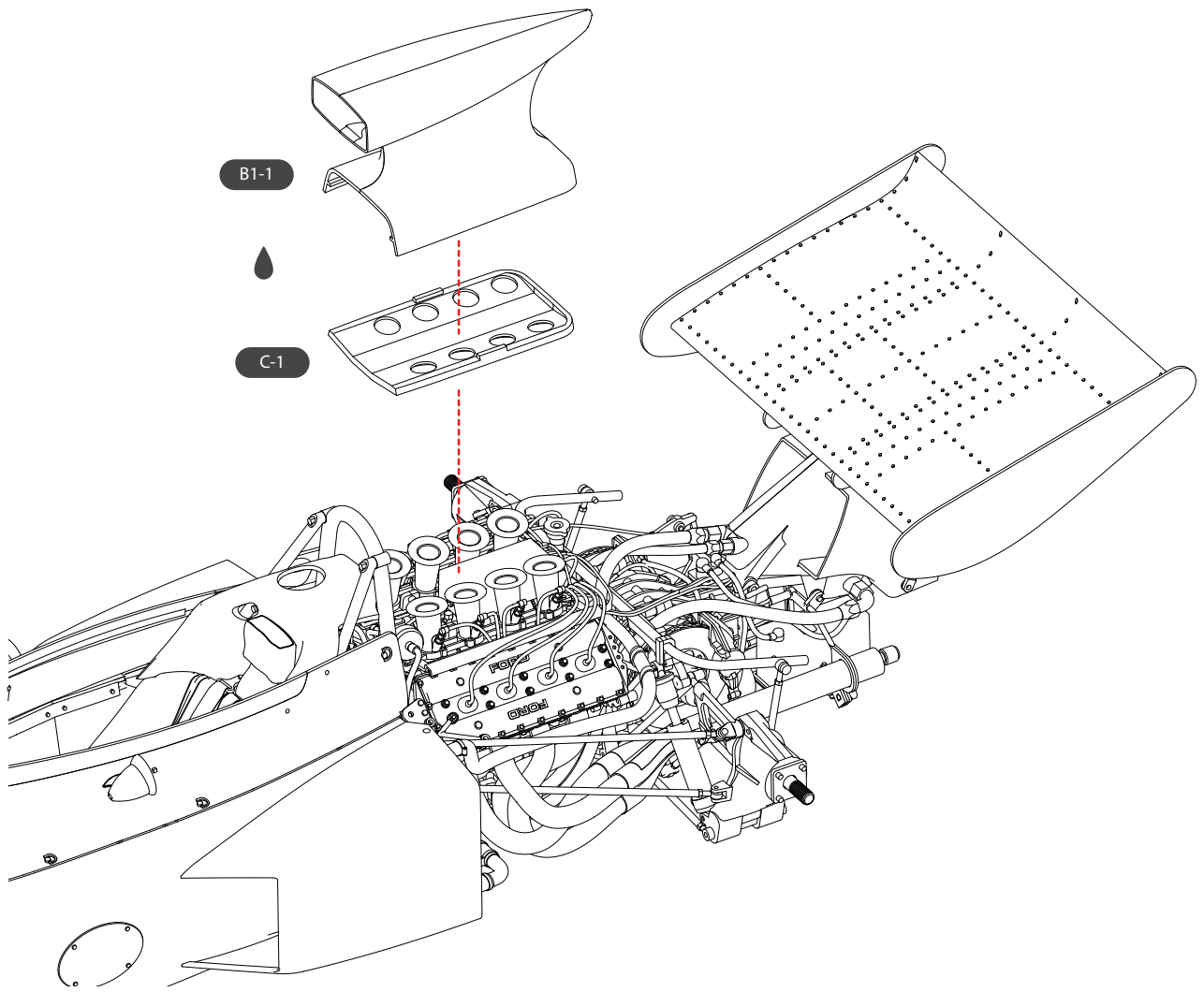
SCREW A = 6

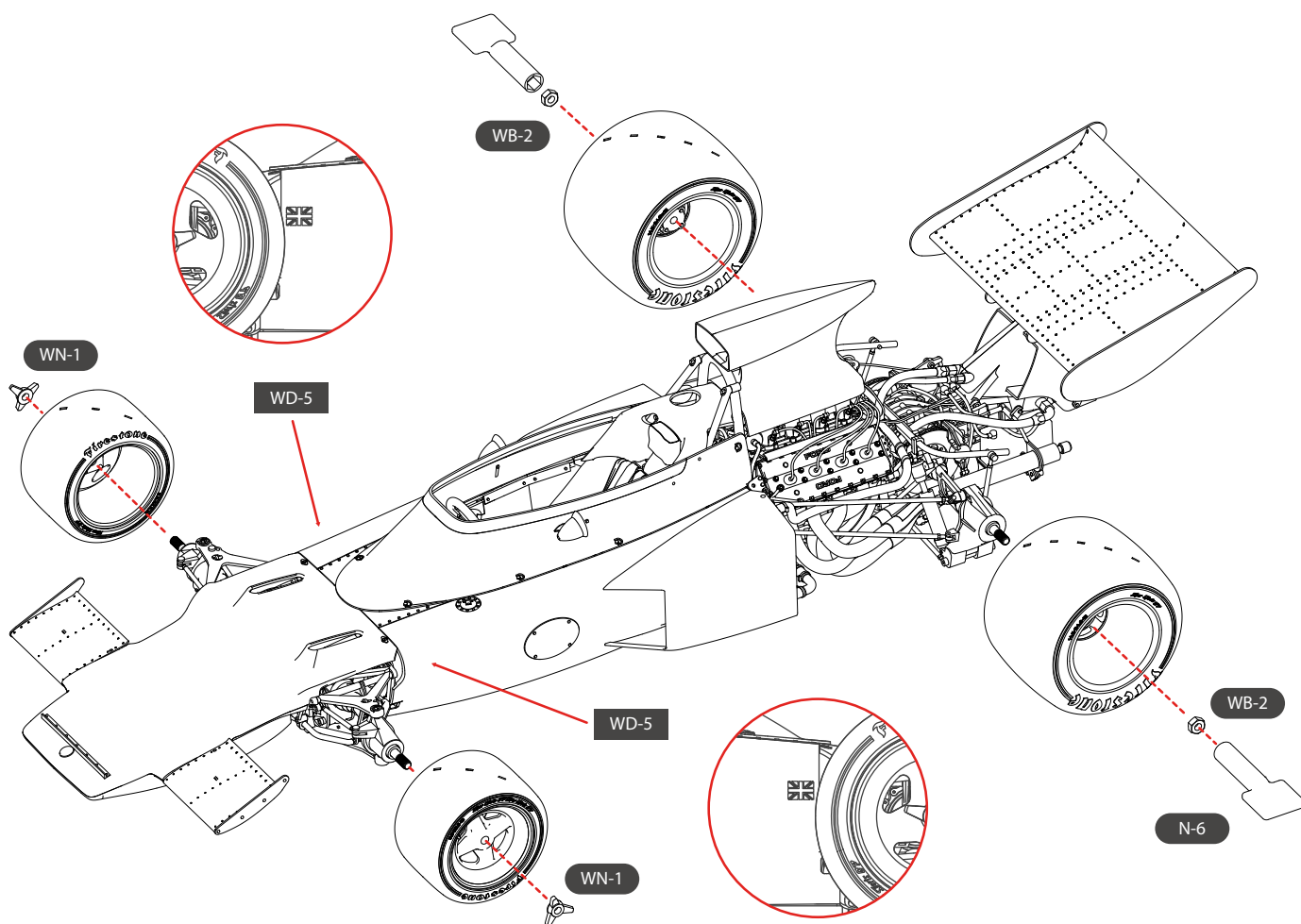


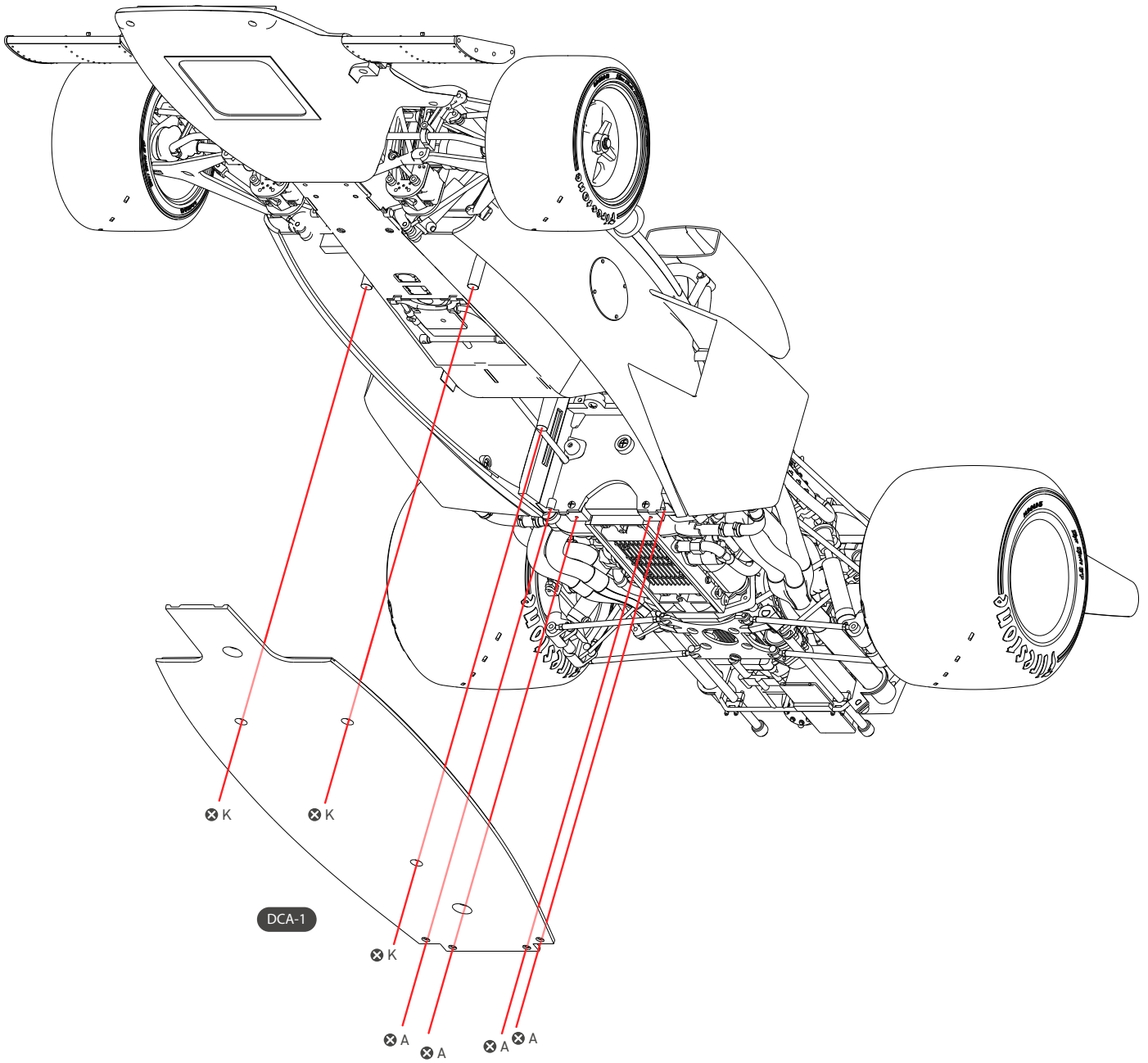
SCREW B = 2
 SCREW G = 2



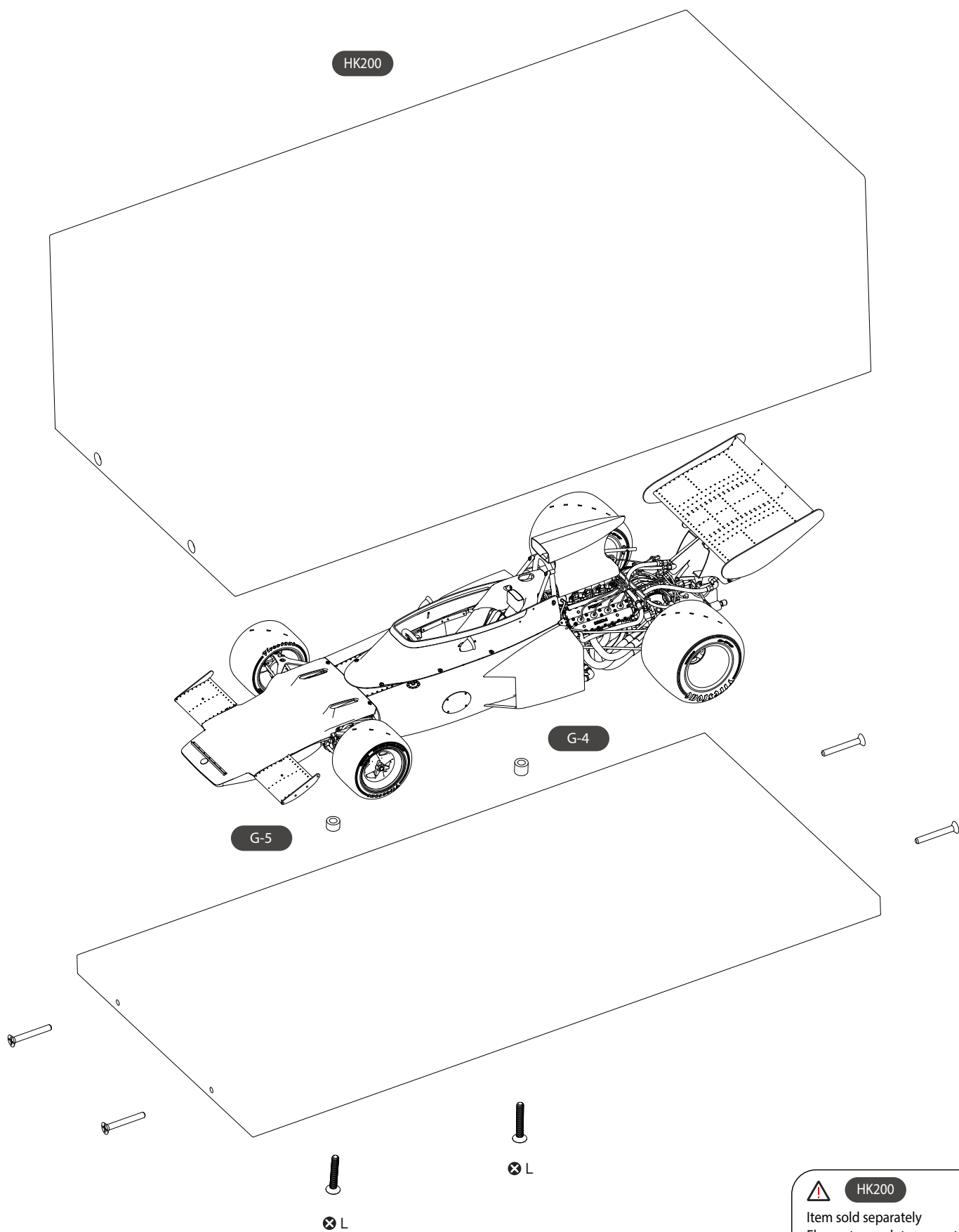








SCREW A = 4
SCREW K = 3



HK200
 ⚠ Item sold separately
 Elemento venduto separato
 Feld verkauft getrennt
 Élément vendu séparé
 Se vende por separado
 ケースは別売です。



Pocher[®]
1:8 Model Kits



Hornby Hobbies Ltd, Enterprise Road, Westwood Industrial Estate,
Margate, Kent CT9 4JX, UK. customerservices.uk@hornby.com
+44 (0)1843 233525

www.pocher.com



Approved and Licensed by CLASSIC TEAM LOTUS LTD.
www.classicteamlotus.co.uk