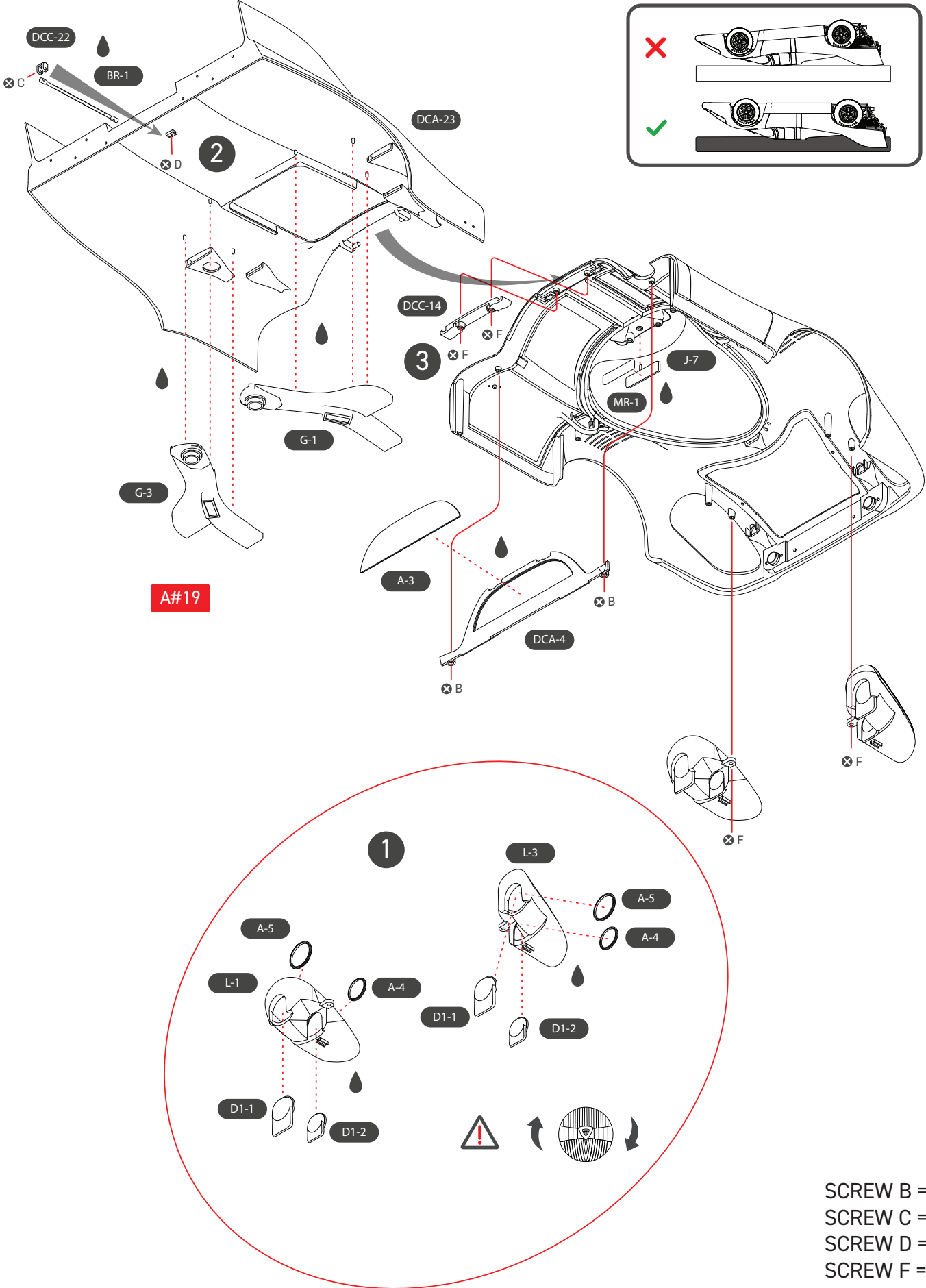


The Porsche 917 in an effort to save weight had no mechanism to keep the doors open, and were often held open by a rope tied to the air vent above the wheel arch or even propped up by something such as a simple piece of wood.

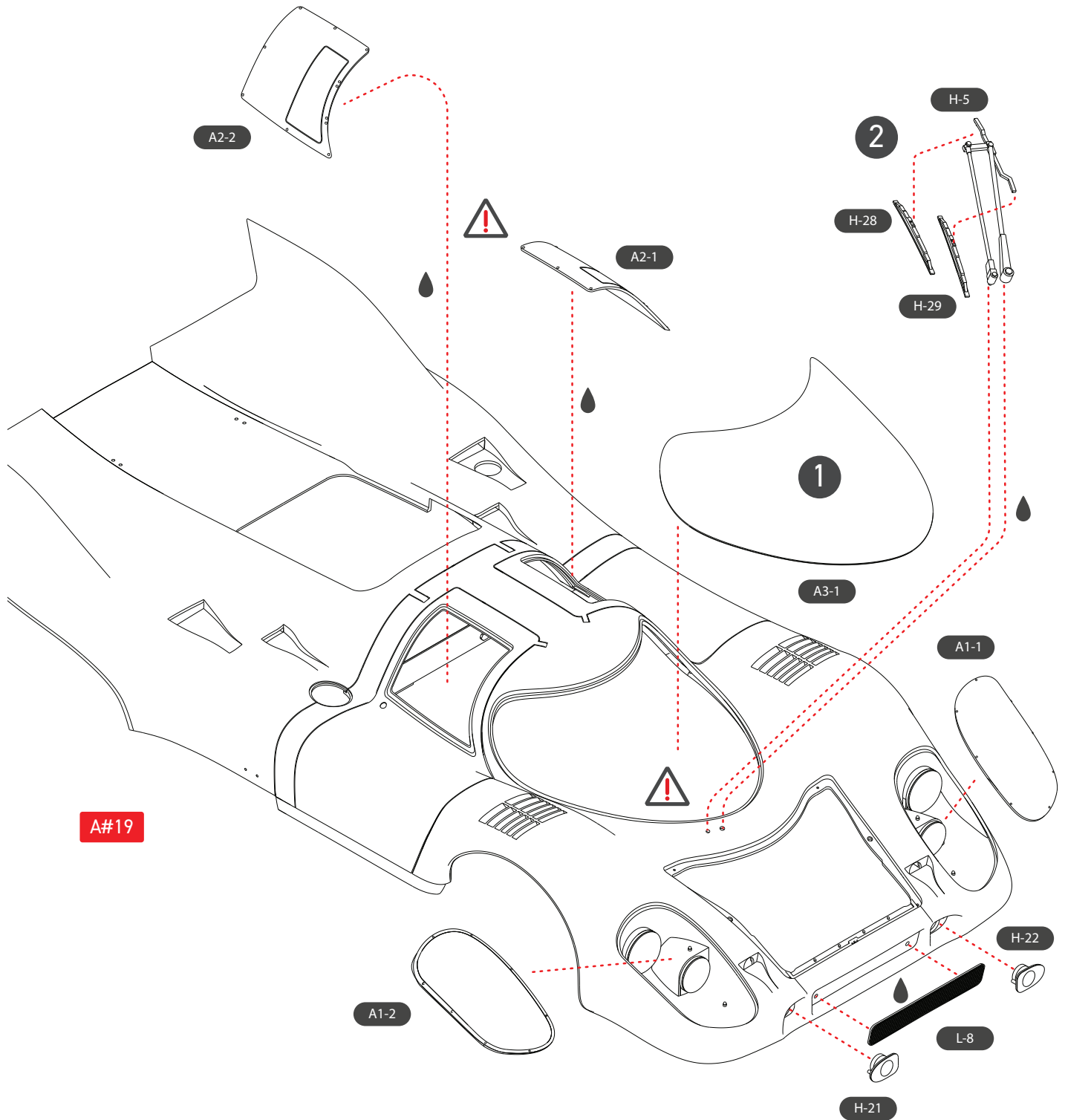
SCREW F = 4

27



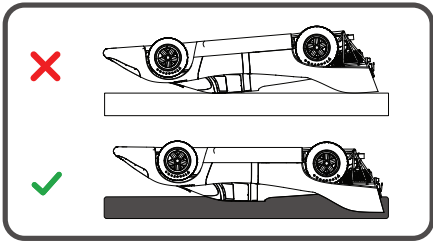
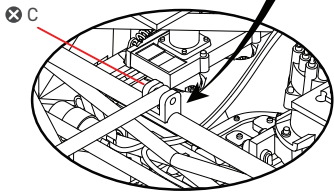
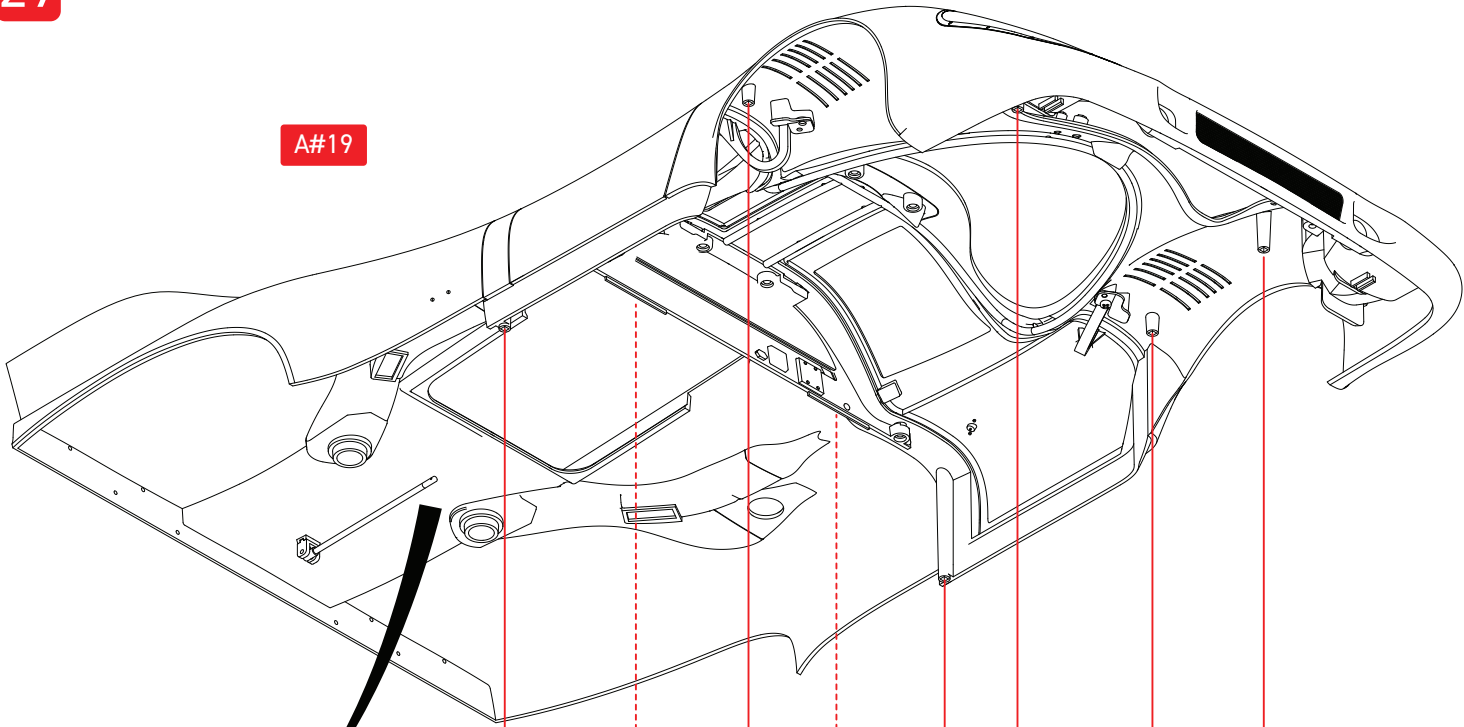


Use a clear drying glue on clear plastic parts to avoid fogging

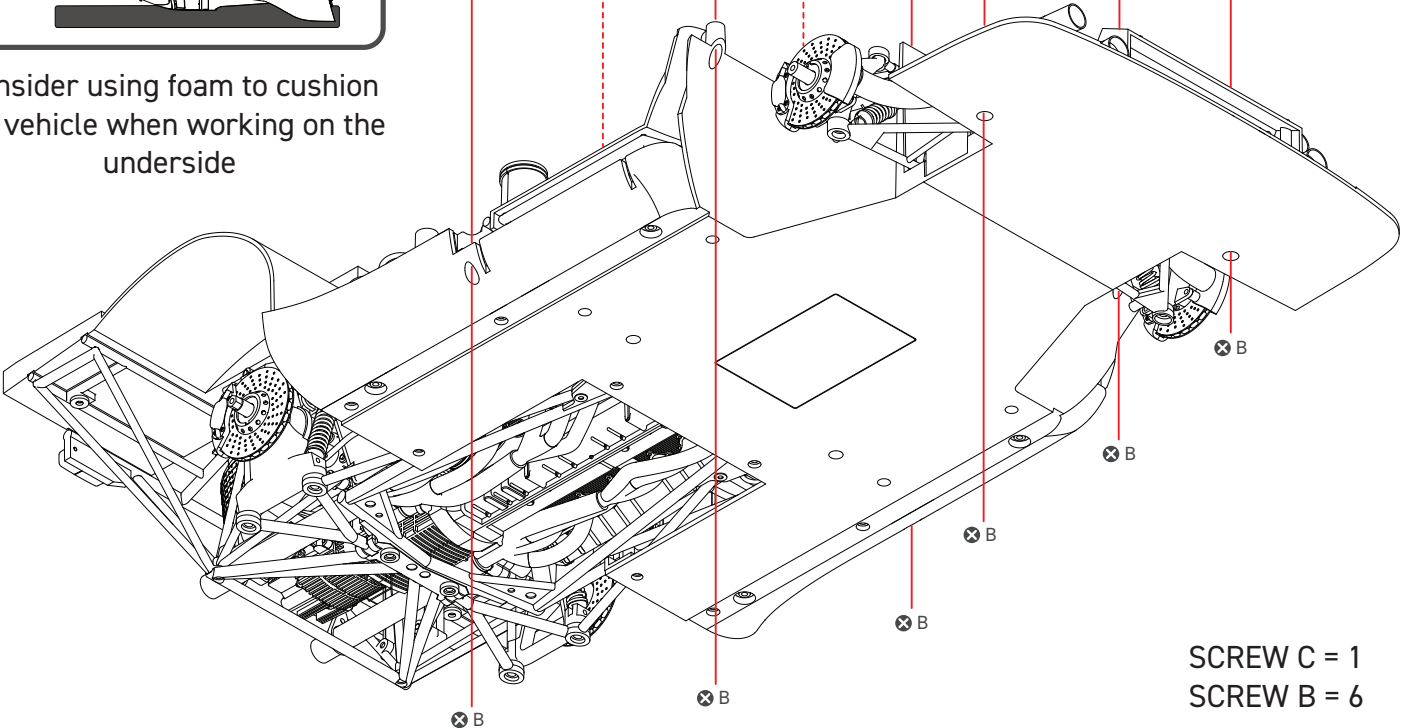


29

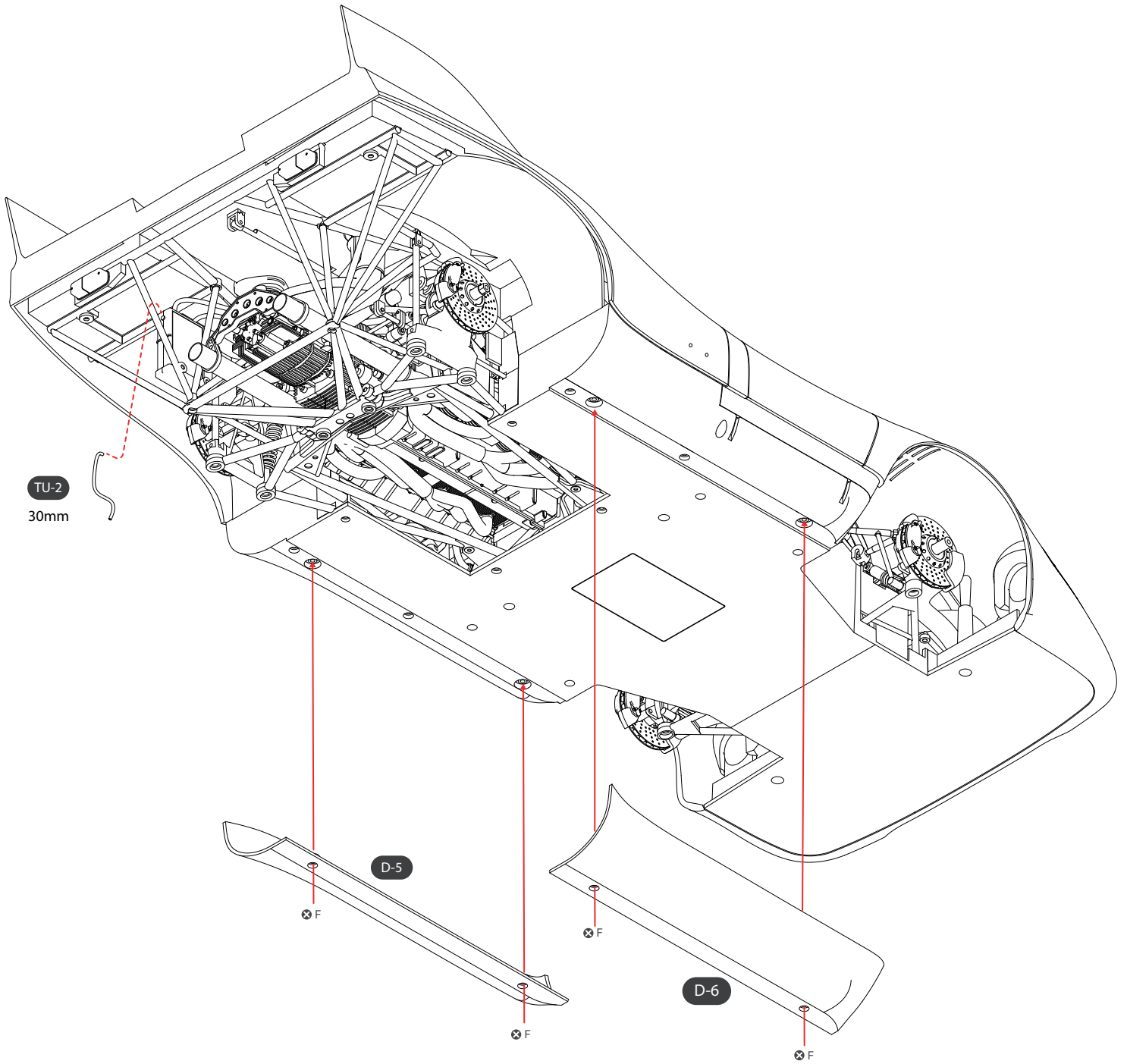
A#19



Consider using foam to cushion the vehicle when working on the underside

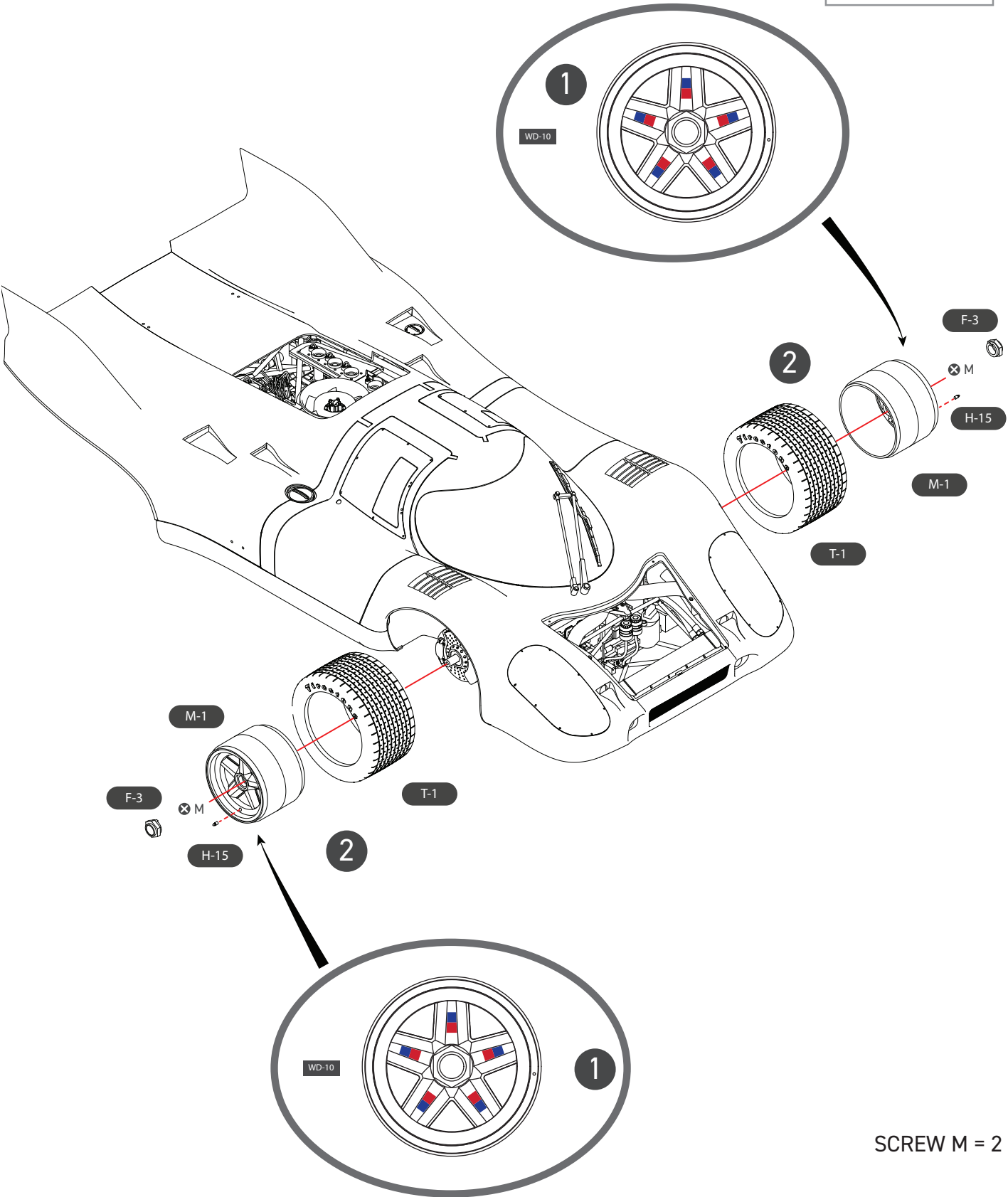
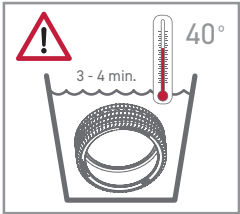


SCREW C = 1
SCREW B = 6

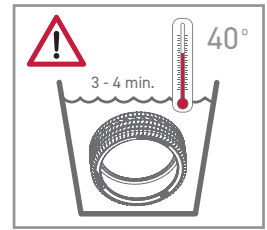


SCREW F = 4

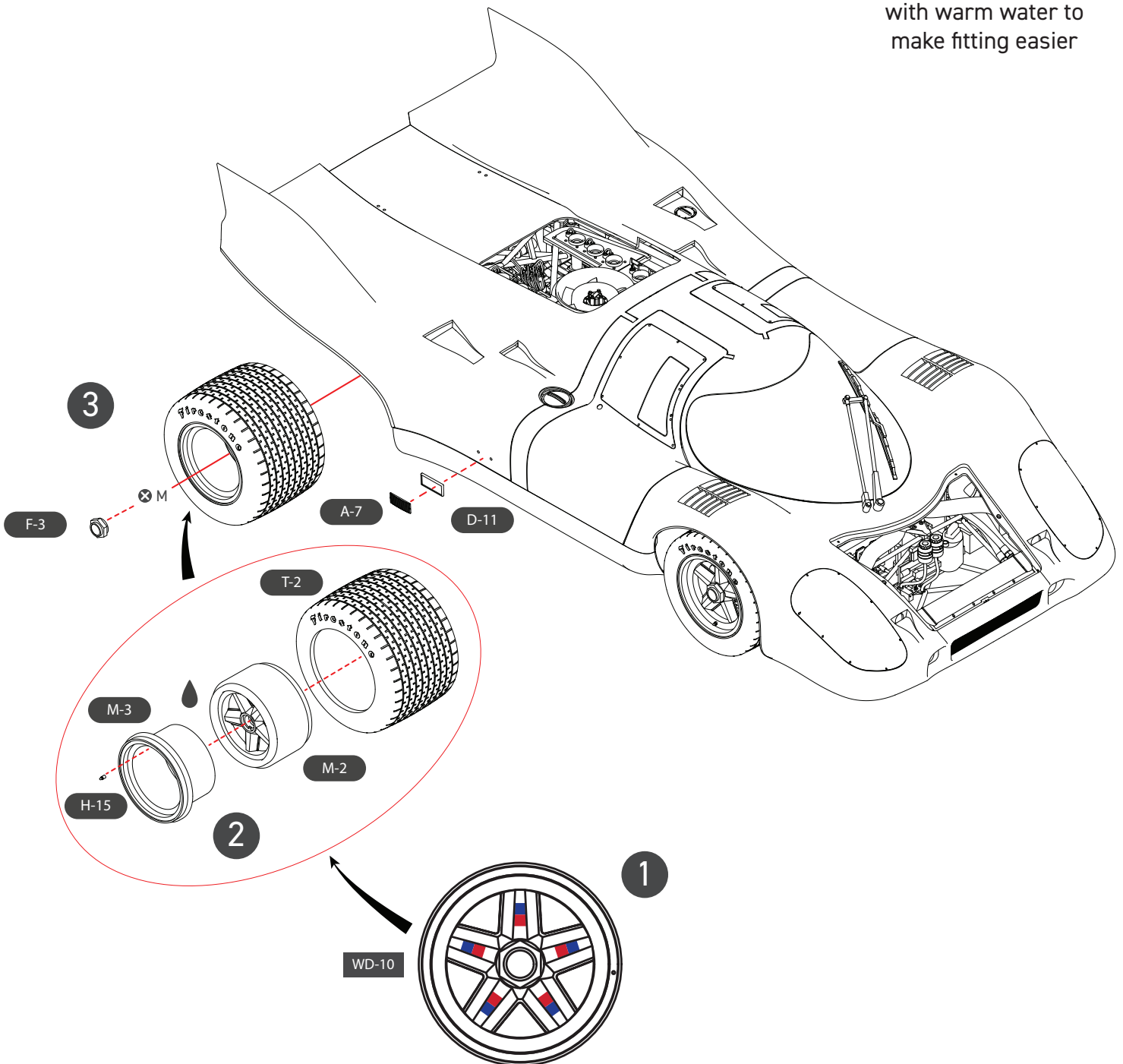
30



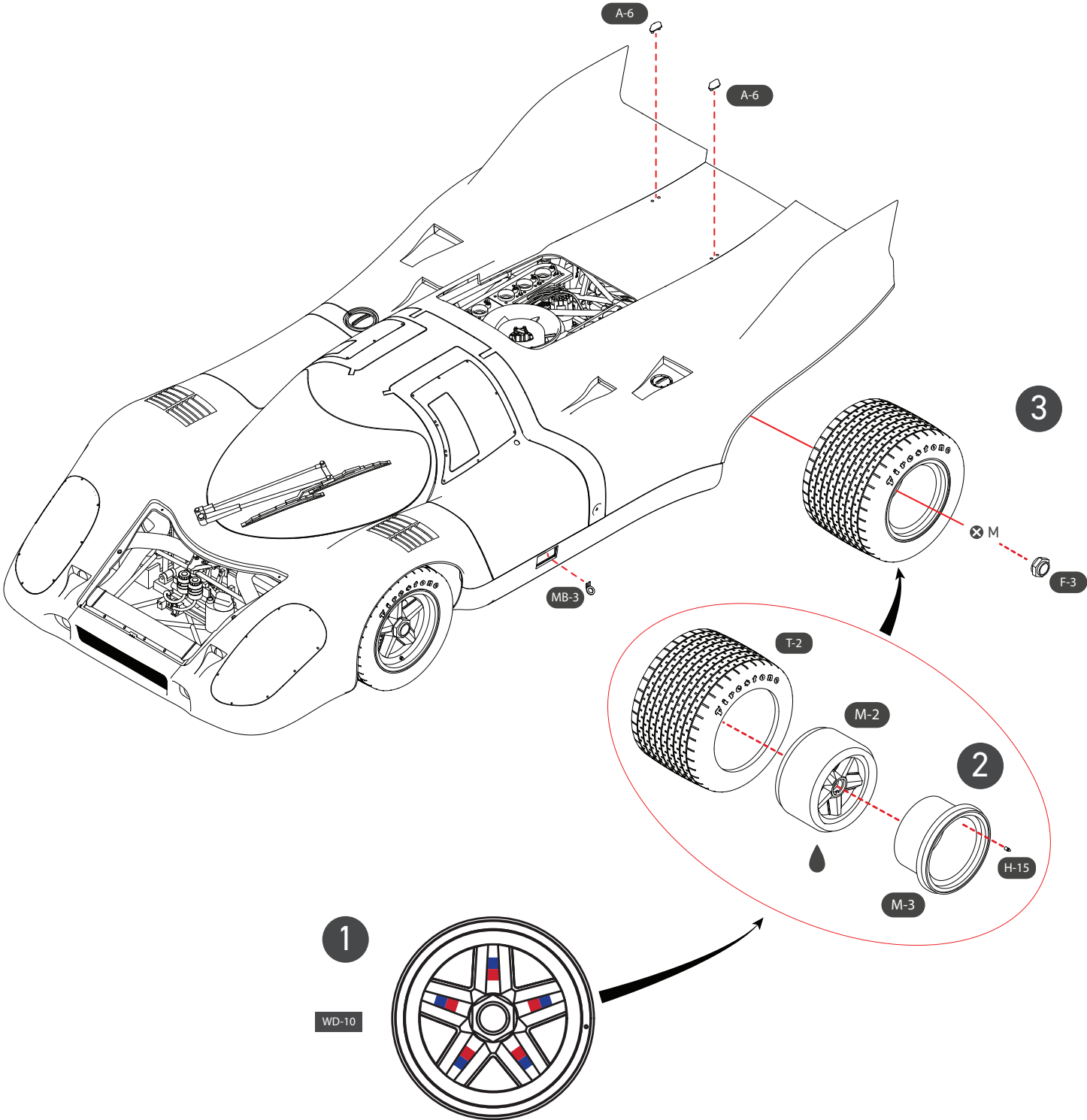
SCREW M = 2



Soften the tyres with warm water to make fitting easier



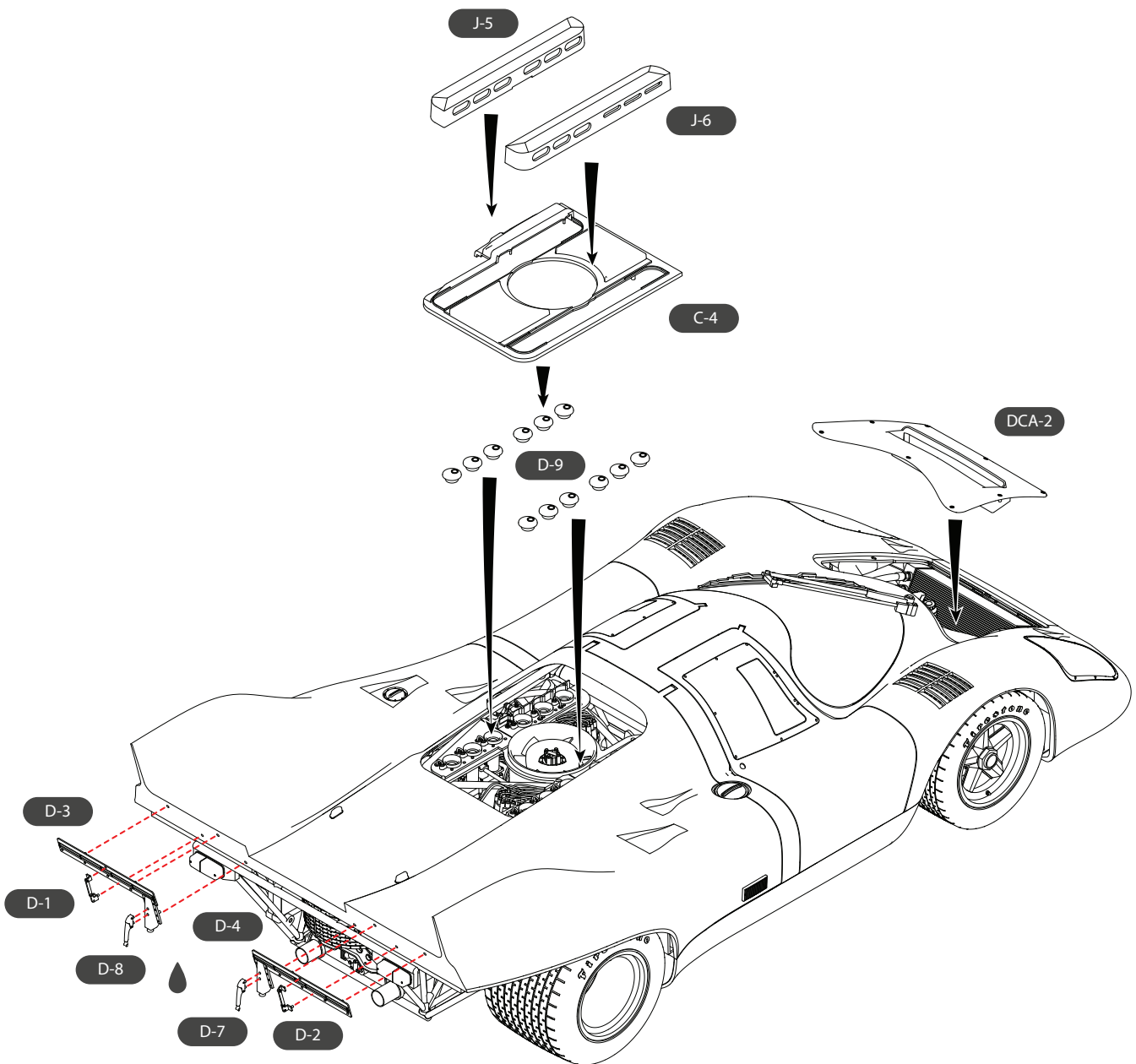
SCREW M = 1



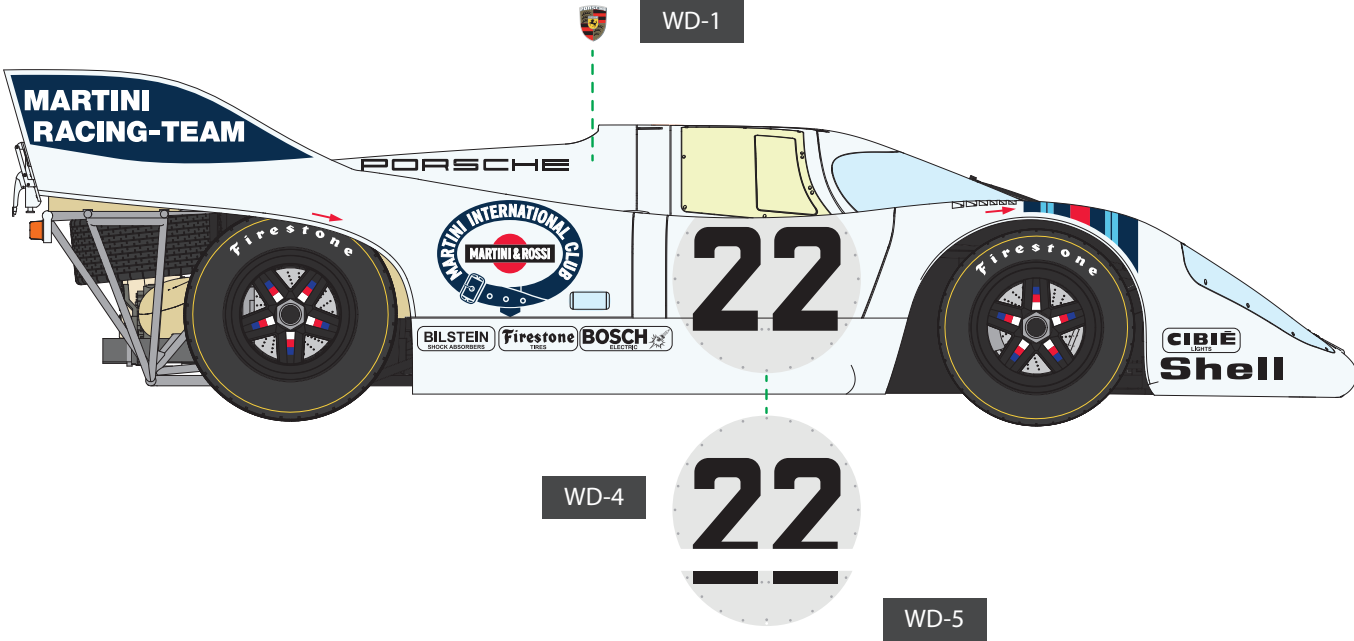
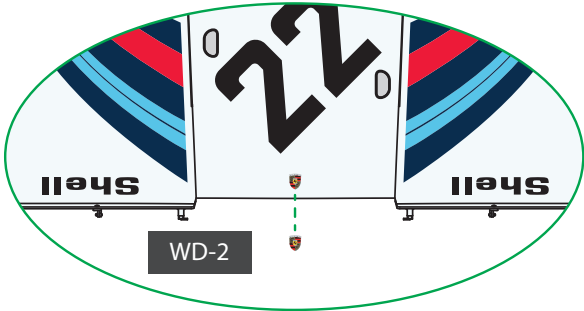
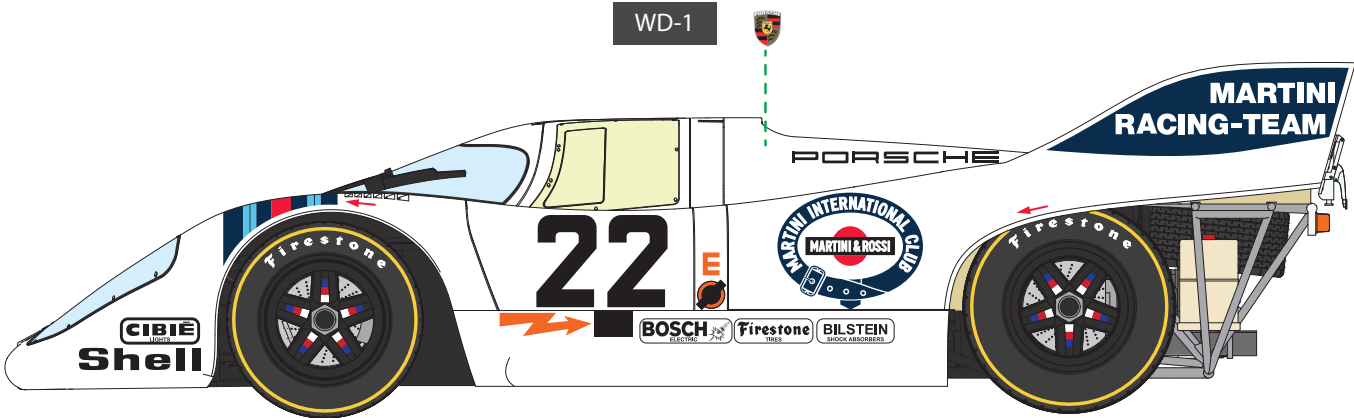
SCREW M = 1

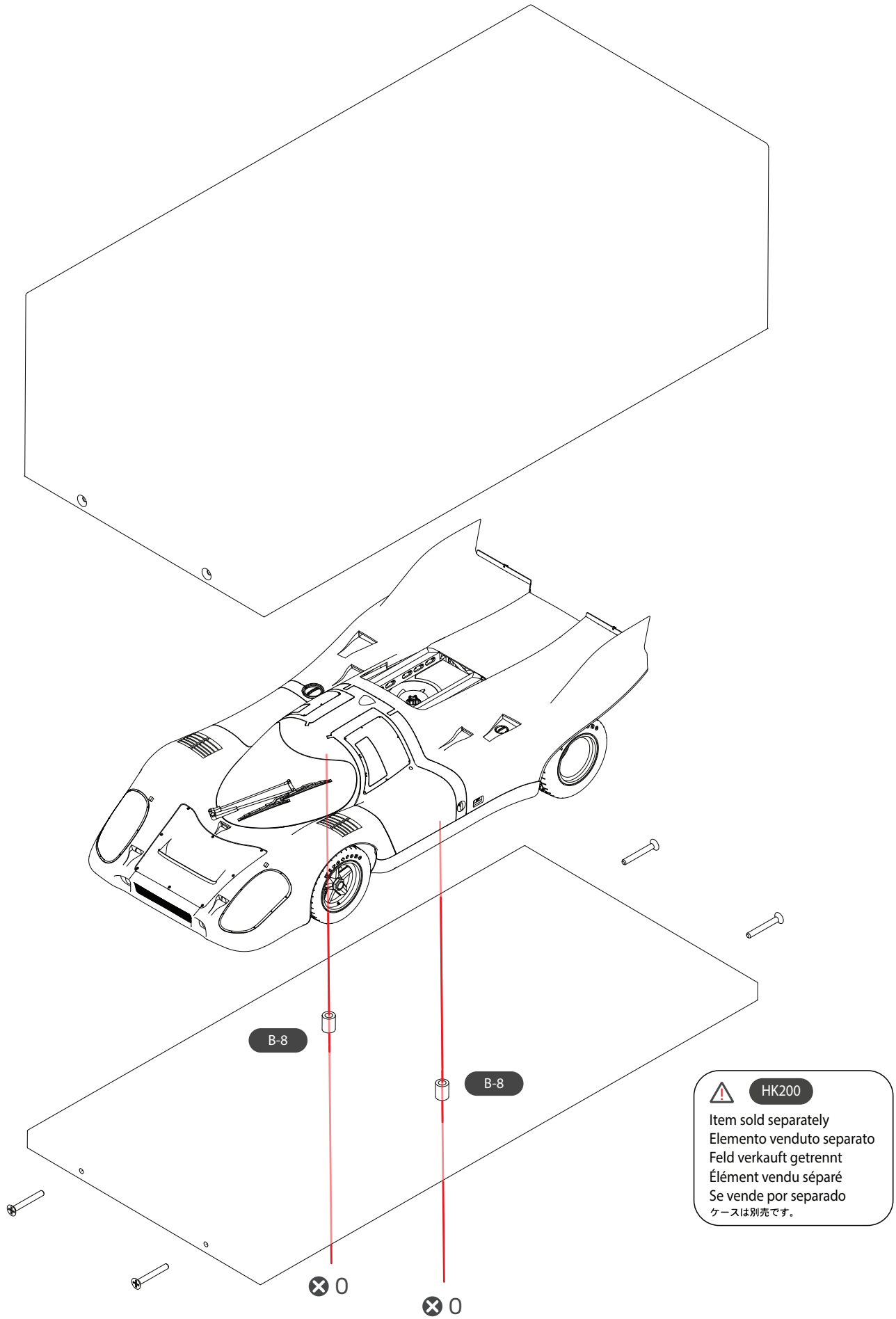


The engine covers, intake covers and front hatch are designed to be removable, so you can either display showing the engine off, or glue them on.



34







Pocher
Die-Cast Model Kits

Pagani Utopia Coupé - Rinascimento Lucido

CODE: HK120

AGE 14+

556+ PARTS



Porsche 917K - Gulf Edition

CODE: HK118

AGE 14+

312+ PARTS



Lotus 72D - 1972 British GP Emerson Fittipaldi

CODE: HK114

AGE 14+

477+ PARTS



Display your model in
style with the Pocher
Car Display Case*

CODE: HK200



*model not included

Discover more and elevate your collection - visit pocher.com



Pochoer[®]

Die-Cast Model Kits



Porsche, the Porsche shield and the distinctive design of Porsche cars are trademarks and trade dress of Porsche AG. Permission granted.



MARTINI, THE BALL AND BAR LOGO AND THE MARTINI RACING STRIPES ARE TRADEMARKS.

Manufactured by: Hornby Hobbies Ltd.
Westwood, Margate, Kent CT9 4JX, UK
+44 (0) 1843 233525
customerservices.uk@hornby.com

EU Authorised Representative: Hornby Italia SRL
Viale dei Caduti, 52/A6, Castel Mella (BS), Italy, 25030
+39 0687501292
customerservices.it@hornby.com

USA Authorised Representative: Hornby America Inc.
Lakewood Industrial Park, 4620 95th St SW, Bldg. 6, Suite A, Lakewood, WA, 98499
+1 877 358 6405
customersupport@hornby.us

